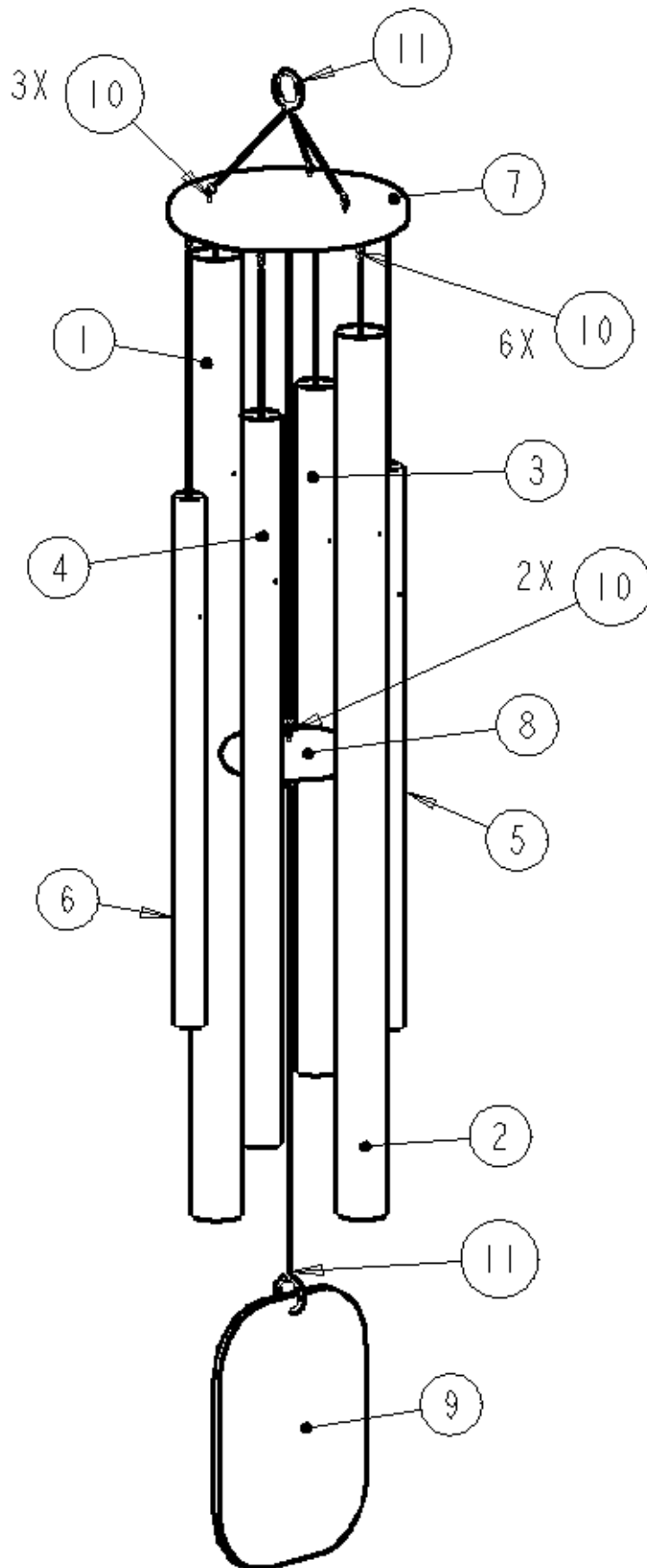


APPROX. WEIGHT 9.5 LBS

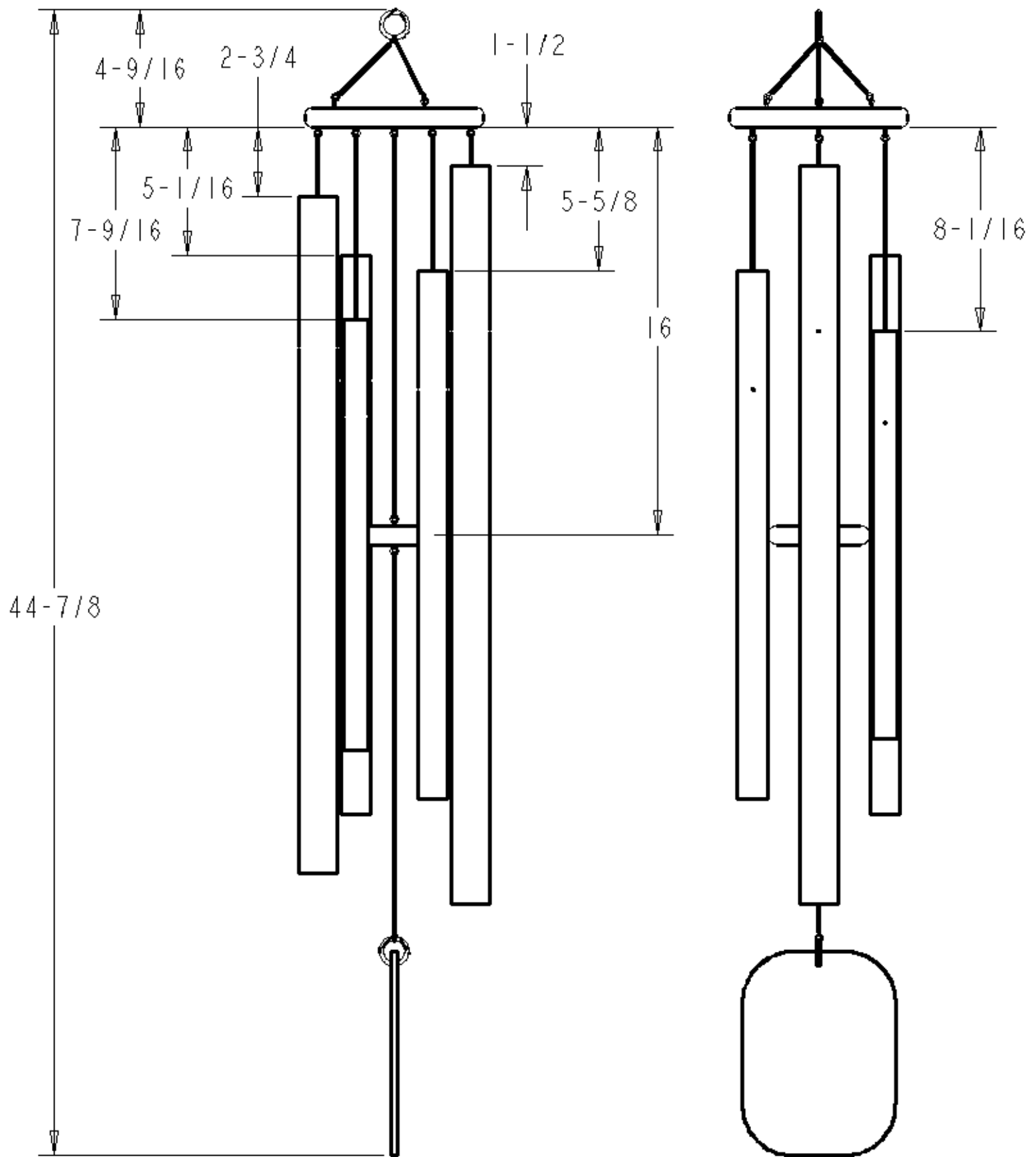


12	A/R	WIRE / STRING
11	2	1" RINGS
10	11	EYE SCREWS SIZE 212
9	1	SAIL SHEET 12
8	1	STRIKER SHEET 11
7	1	TOP SHEET 10
6	1	A-880 SHEET 9
5	1	G-784 SHEET 8
4	1	E-659 SHEET 7
3	1	D-587 SHEET 6
2	1	C-523 SHEET 5
1	1	A-440 SHEET 4
ITEM	QTY	DESCRIPTION

Am PENTATONIC SCALE
WIND CHIME 1 OF 12

DATE Dec 2002

SCALE .200

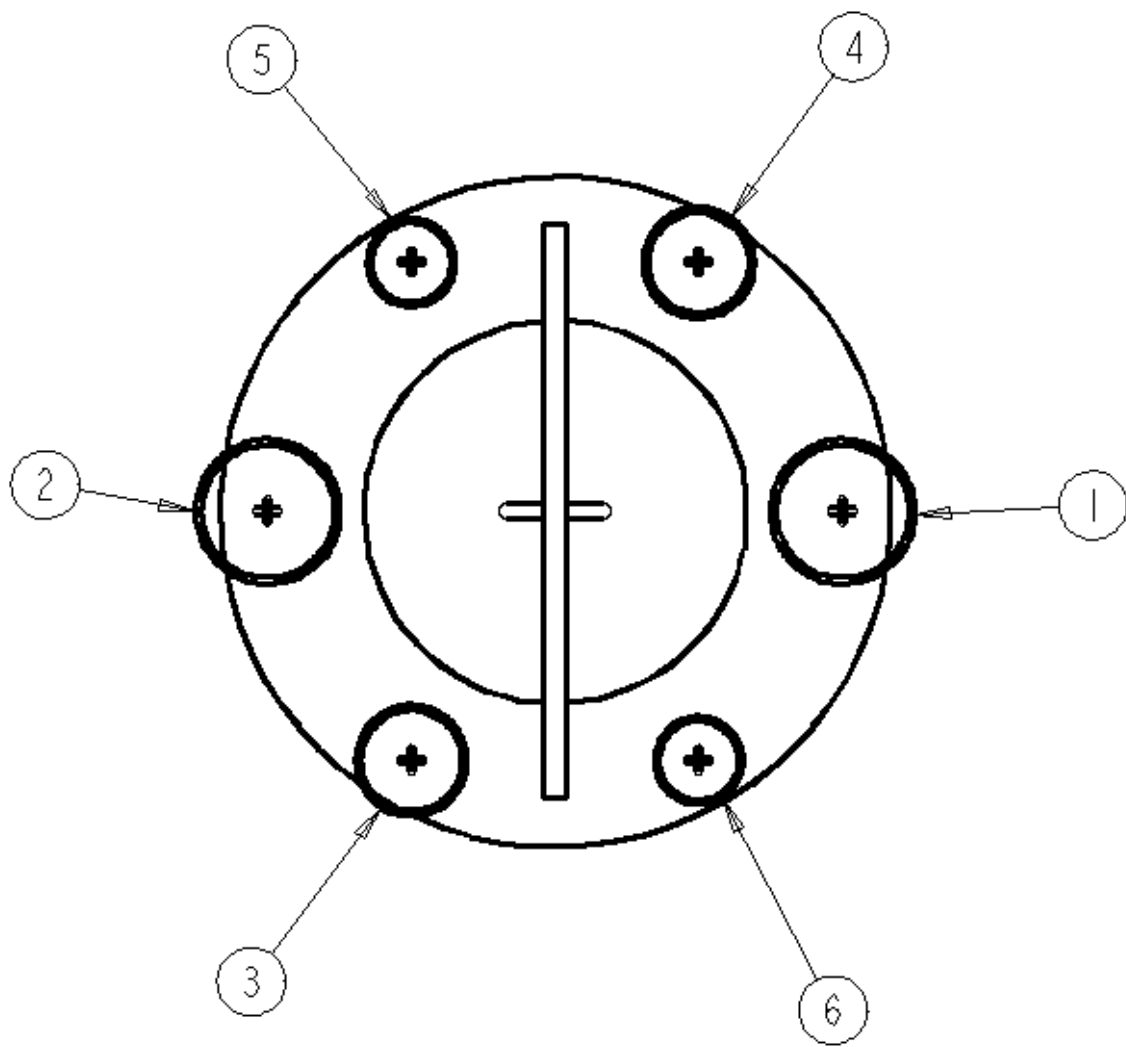


VIEW A
SHEET 3

Am PENTATONIC SCALE
WIND CHIME 2 OF 12

DATE Dec 2002

SCALE .200



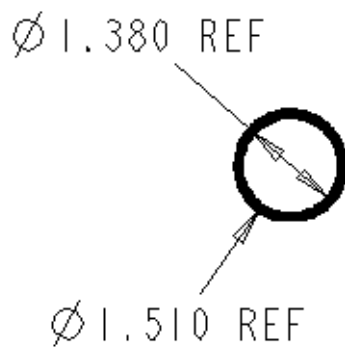
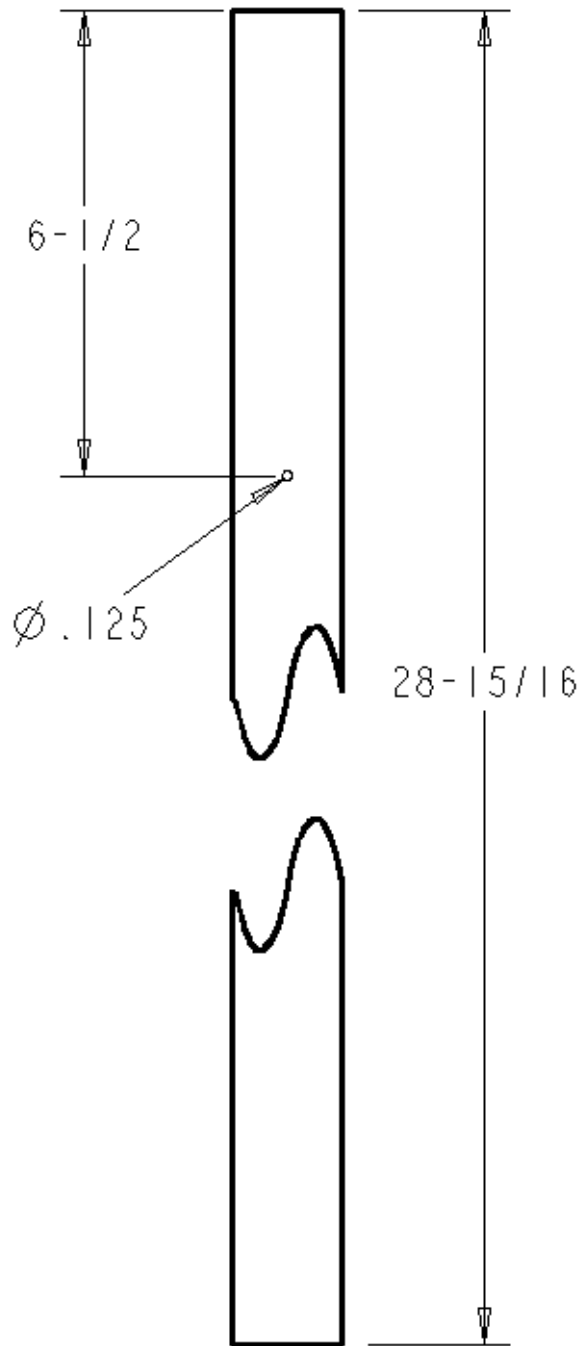
VIEW A
FROM SHEET 2

Am PENTATONIC SCALE
WIND CHIME 3 OF 12

DATE Dec 2002

SCALE .500

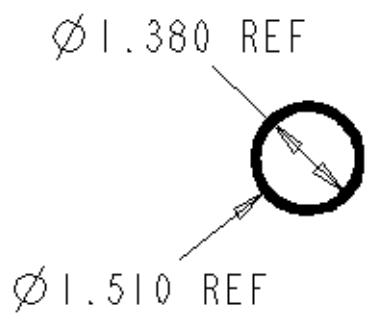
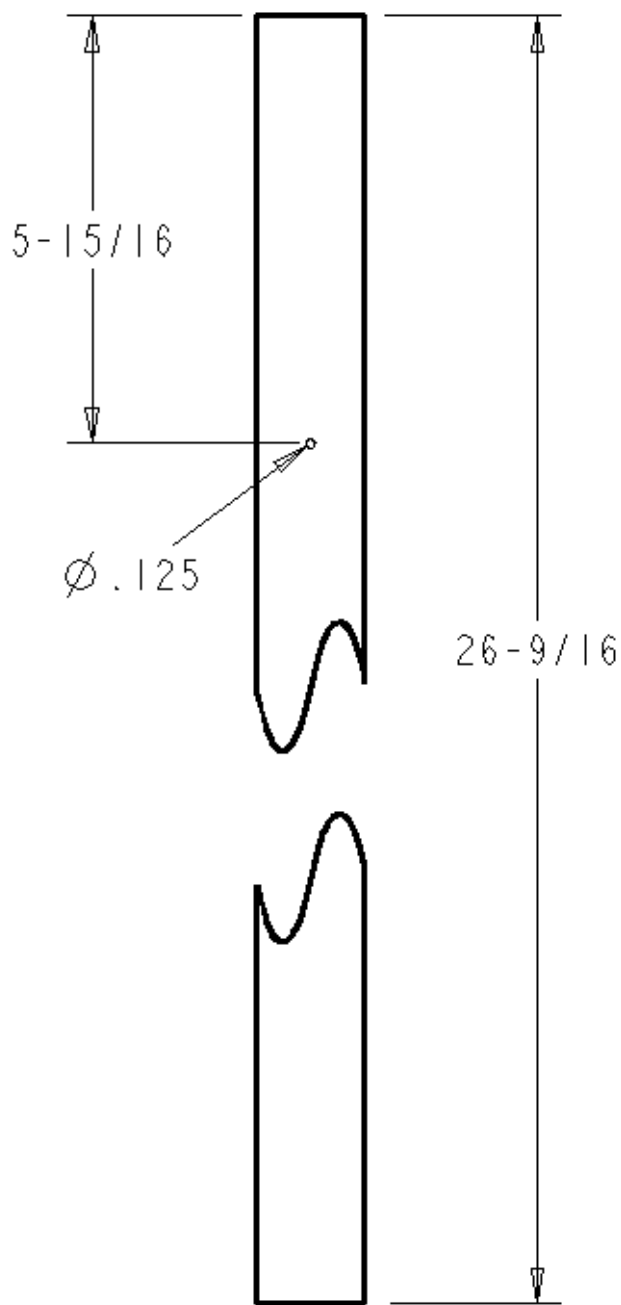
MATERIAL: STEEL CONDUIT (EMT) 1 1/4" DIAMETER.
APPROX. WEIGHT 2.42 LBS



A - 440 Hz

Am PENTATONIC SCALE WIND CHIME 4 OF 12	
DATE Dec 2002	SCALE .375

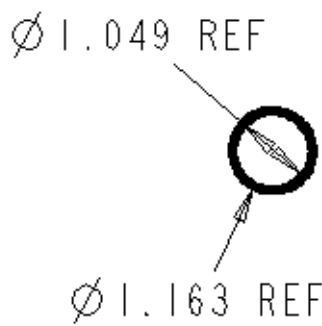
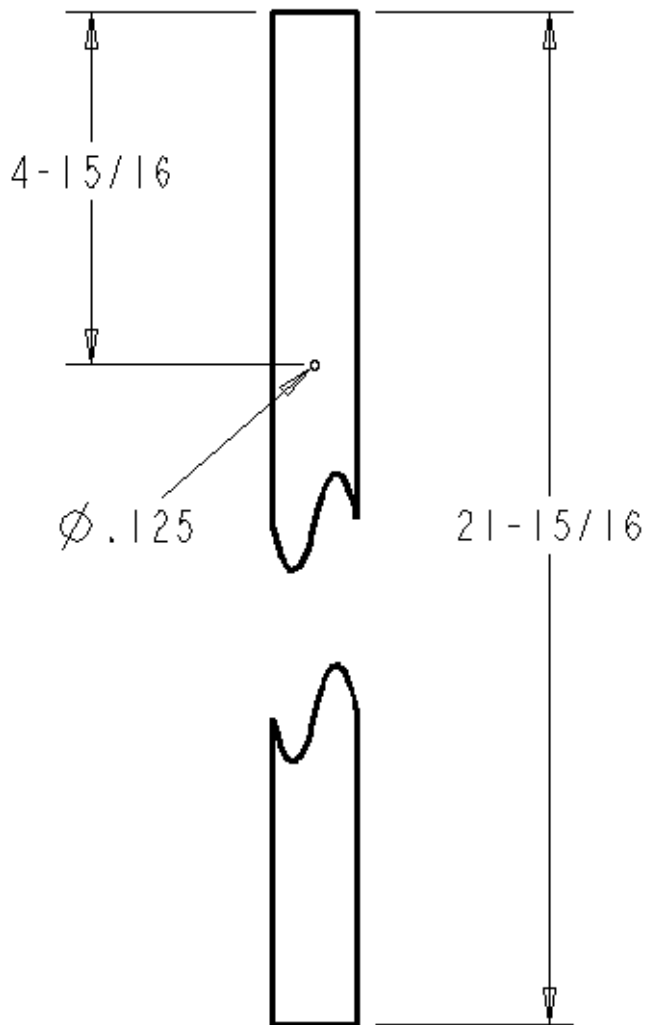
MATERIAL: STEEL CONDUIT (EMT) 1 1/4" DIAMETER
APPROX. WEIGHT 2.22 LBS



C - 523 Hz

Am PENTATONIC SCALE WIND CHIME	
5 OF 12	
DATE	Dec 2002
SCALE	.375

MATERIAL: STEEL CONDUIT (EMT) 1" DIAMETER
APPROX. WEIGHT 1.23 LBS



D - 587 Hz

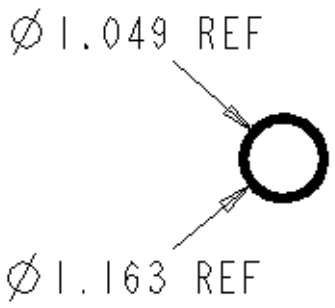
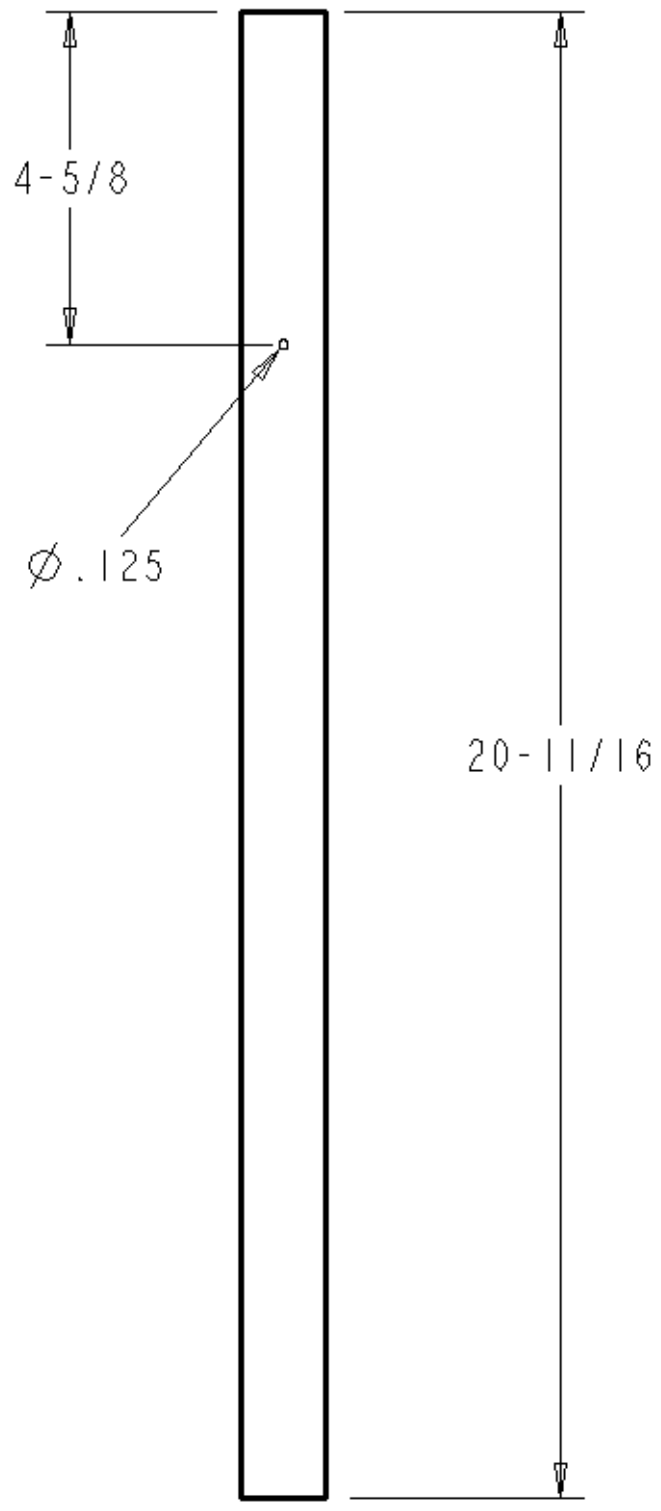
Am PENTATONIC SCALE
WIND CHIME

6 OF 12

DATE Dec 2002

SCALE .375

MATERIAL: STEEL CONDUIT (EMT) 1" DIAMETER.
APPROX. WEIGHT 1.16 LBS.



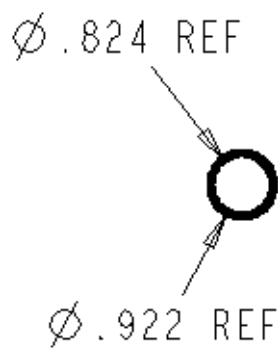
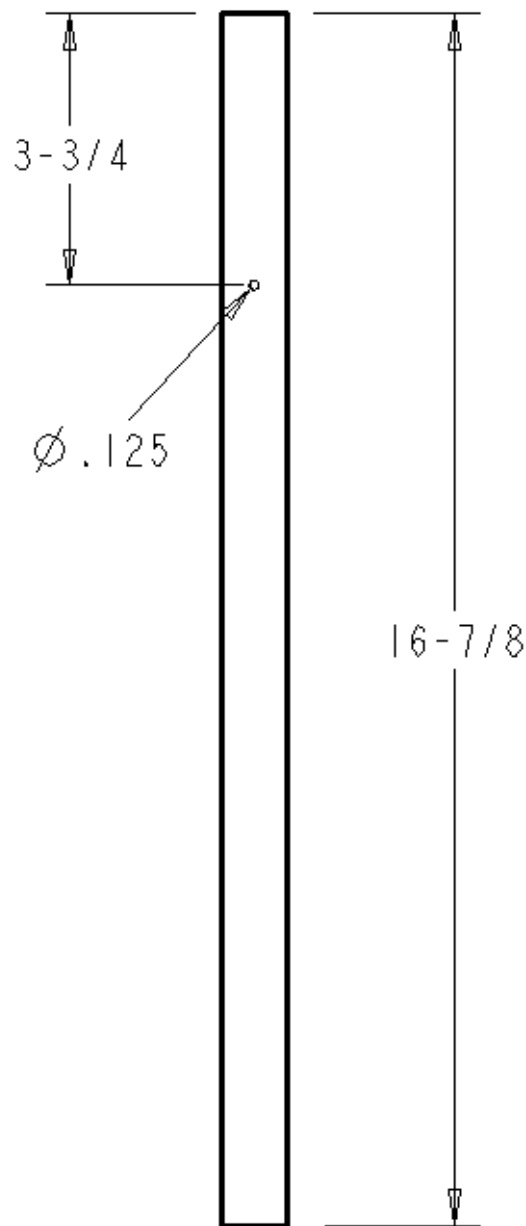
E - 659 Hz

Am PENTATONIC SCALE
WIND CHIME 7 OF 12

DATE Dec 2002

SCALE .375

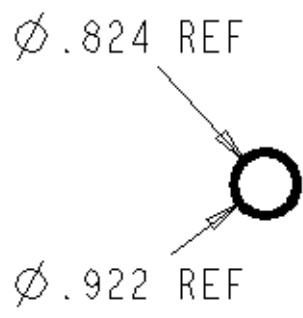
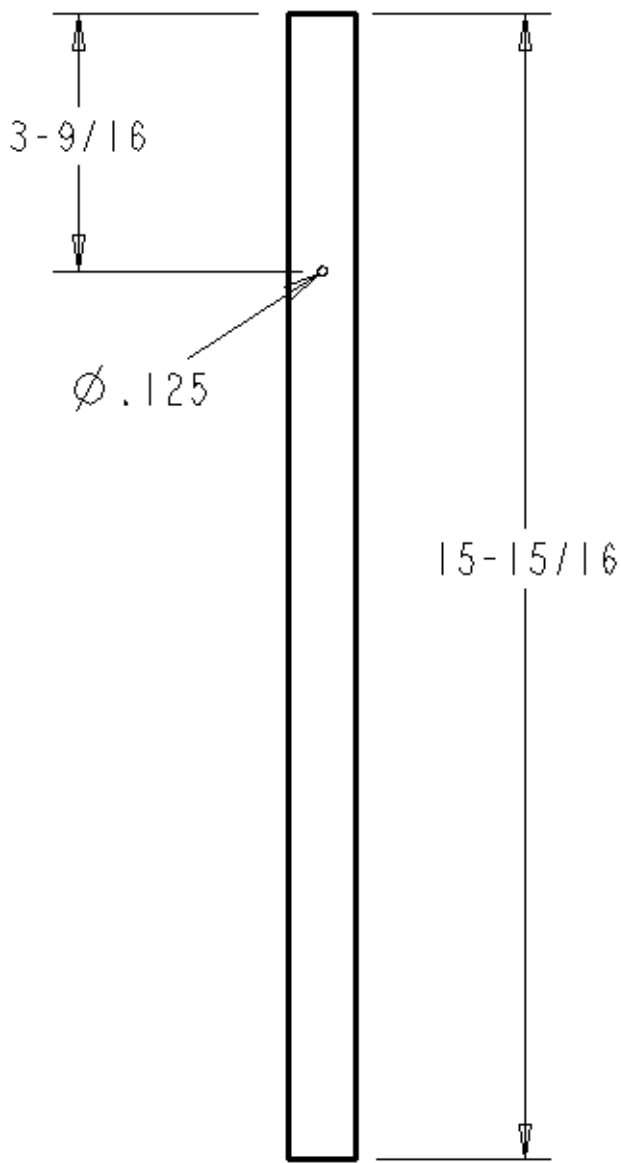
MATERIAL: STEEL CONDUIT (EMT) 3/4" DIAMETER
APPROX. WEIGHT 0.64 LBS



G - 784 Hz

Am PENTATONIC SCALE WIND CHIME	
8 OF 12	
DATE Dec 2002	SCALE .375

MATERIAL: STEEL CONDUIT (EMT) 3/4" DIAMETER
APPROX. WEIGHT .61 LBS

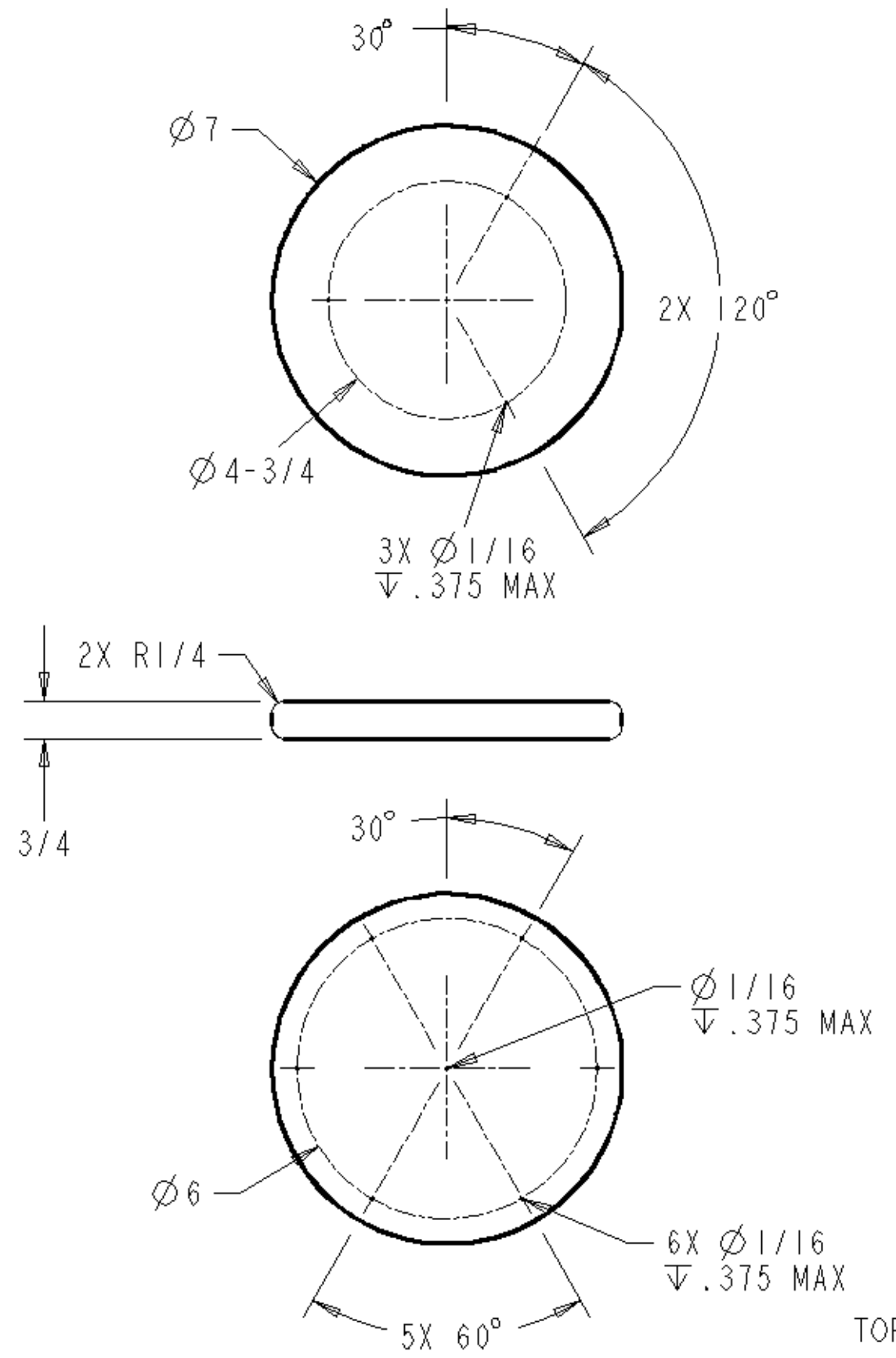


A - 880 Hz

Am PENTATONIC SCALE
WIND CHIME 9 OF 12

DATE Dec 2002	SCALE .375
---------------	------------

MATERIAL: WOOD APPROX. WEIGHT .65 LBS

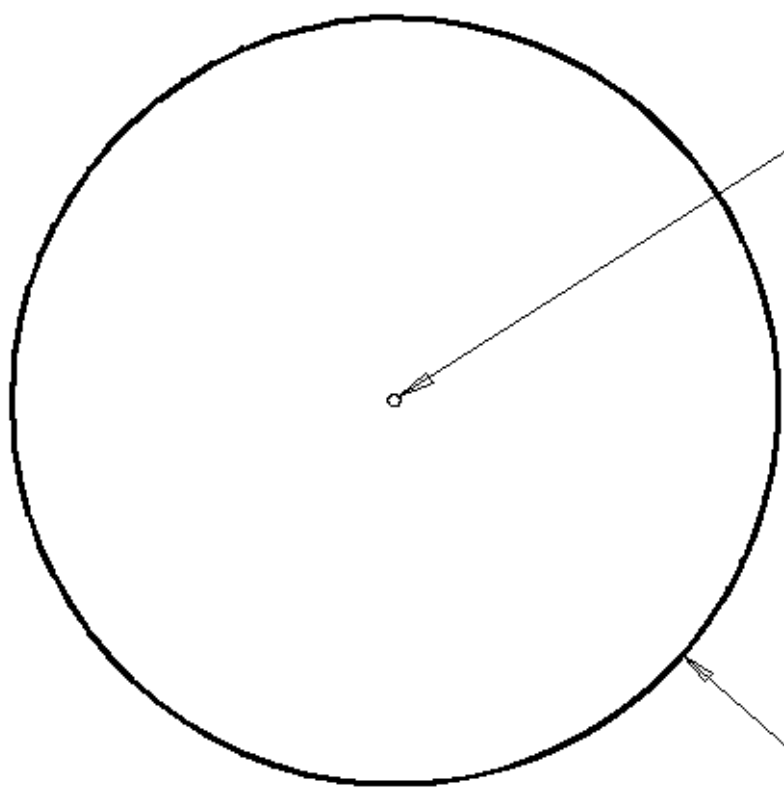


Am PENTATONIC SCALE
WIND CHIME 10 OF 12

DATE Dec 2002

SCALE .333

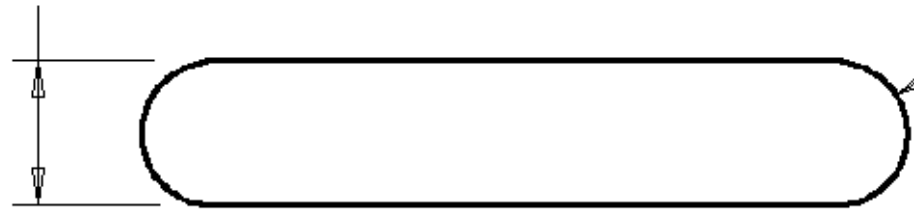
MATERIAL: WOOD APPROX. WEIGHT .20 LBS



$\phi 1/16$ THRU

$\phi 4$

$\phi 3/4$



2X R3/8

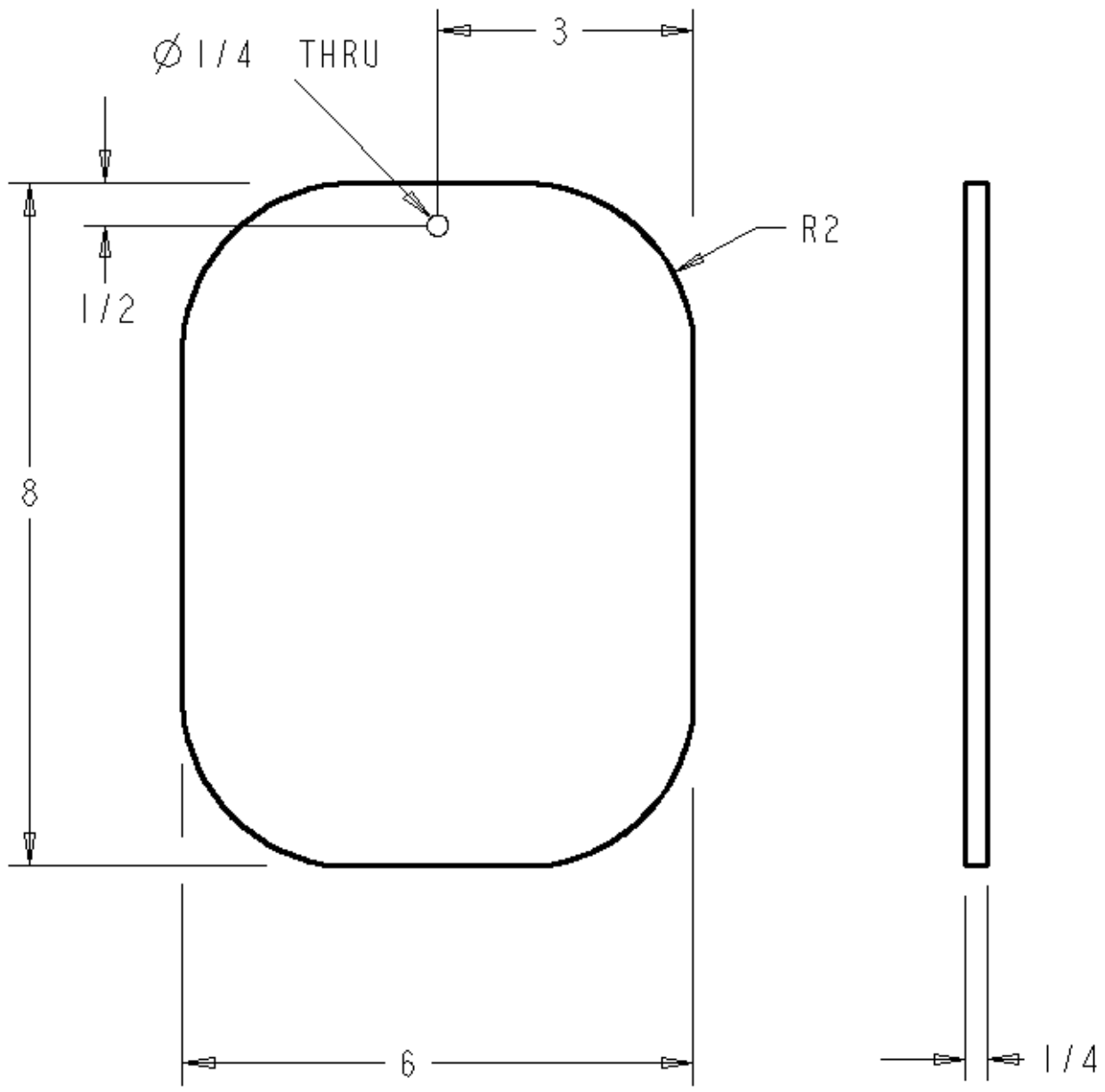
STRIKER

Am PENTATONIC SCALE
WIND CHIME 11 OF 12

DATE Dec 2002

SCALE 1.000

MATERIAL: WOOD APPROX. WEIGHT .26 LBS



SAIL

Am PENTATONIC SCALE
WIND CHIME 12 OF 12

DATE Dec 2002

SCALE .500