

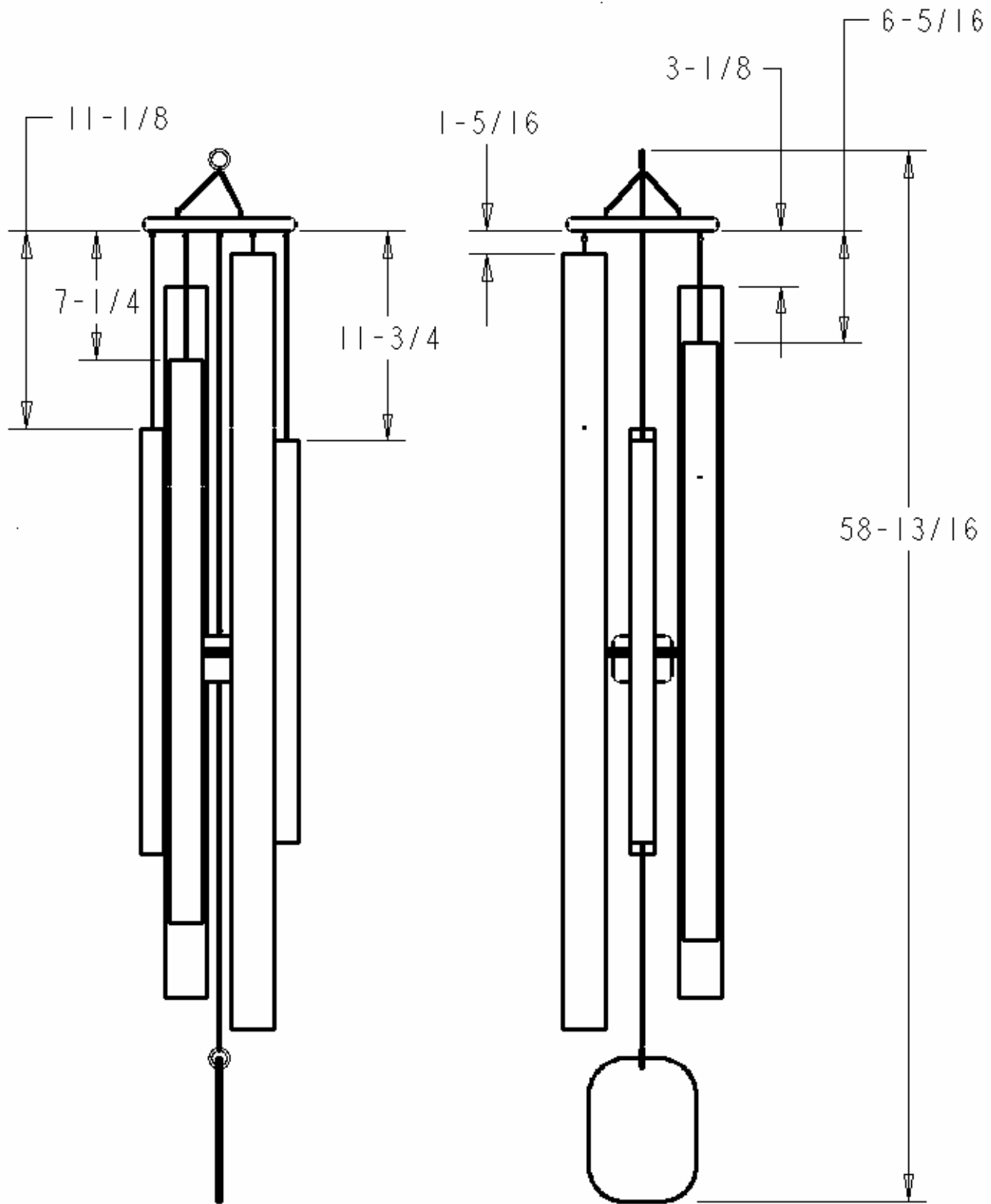
11	2	1" DIA RING
10	11	EYE SCREW SIZE 212
	A/R	DACRON CORD
9	1	SAIL SHEET <b>12</b>
8	1	TOP SHEET <b>11</b>
7	1	STRIKER SHEET 10
6	1	D - 587 Hz SHEET <b>9</b>
5	1	C - 523 Hz SHEET 8
4	1	A - 440 Hz SHEET 7
3	1	G - 392 Hz SHEET 6
2	1	F - 349 Hz SHEET 5
1	1	D - 294 Hz SHEET 4
ITEM	QTY	DESCRIPTION

Dm PENTATONIC SCALE  
WIND CHIME 1 OF 12

DATE March 2003

SCALE 5/32

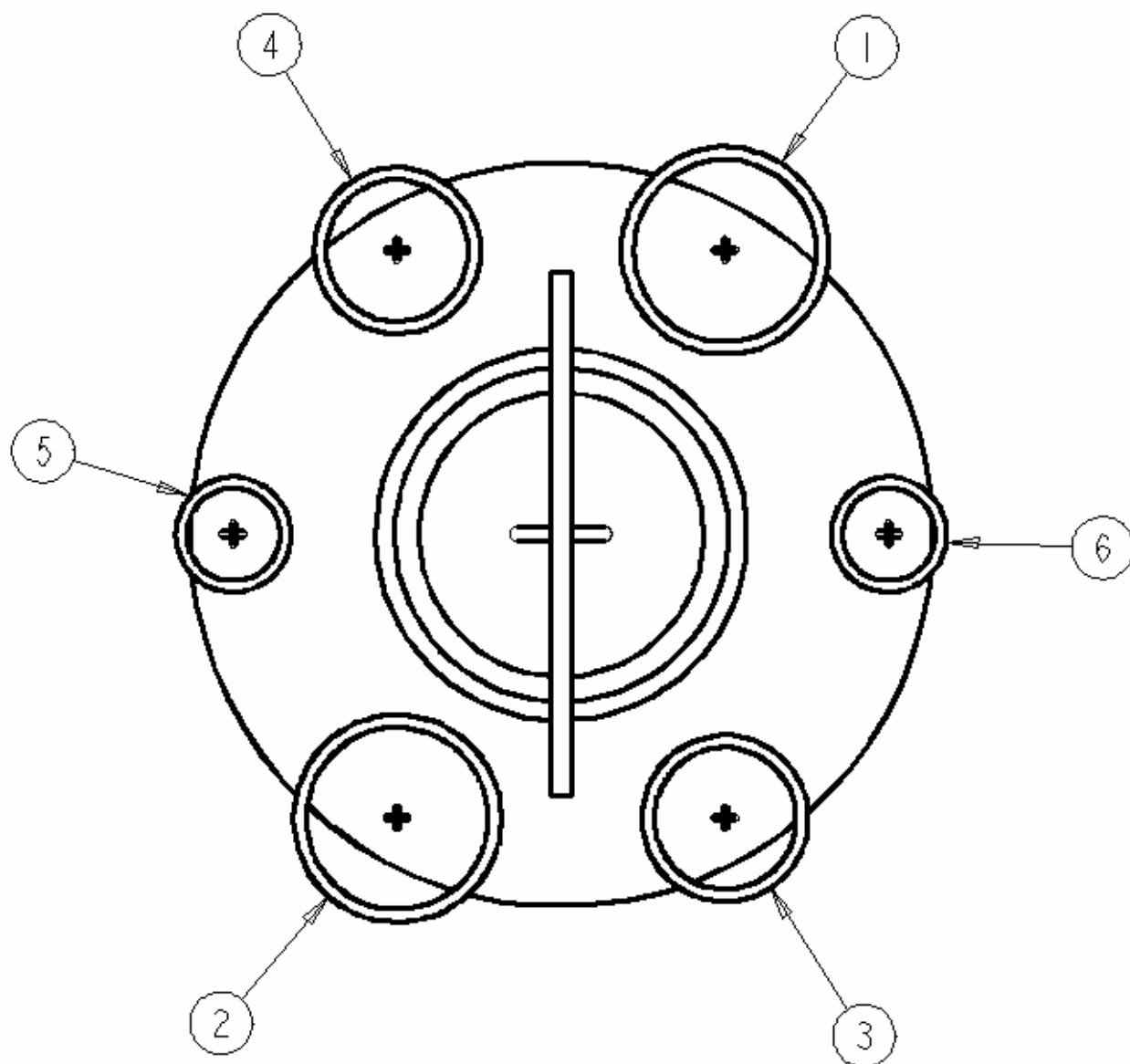
ESTIMATED WEIGHT 17.5 LBS.



Dm PENTATONIC SCALE  
WIND CHIME 2 OF 12

DATE March 2003

SCALE 1/8

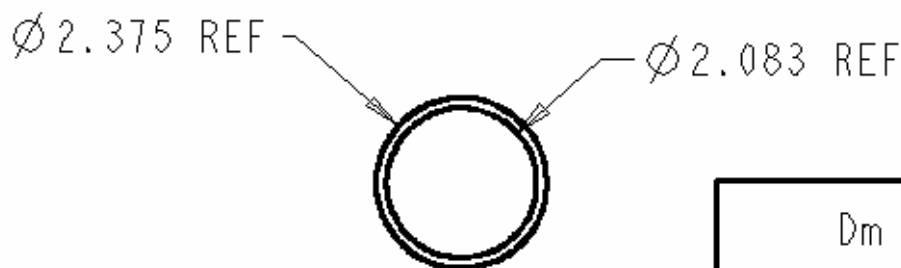
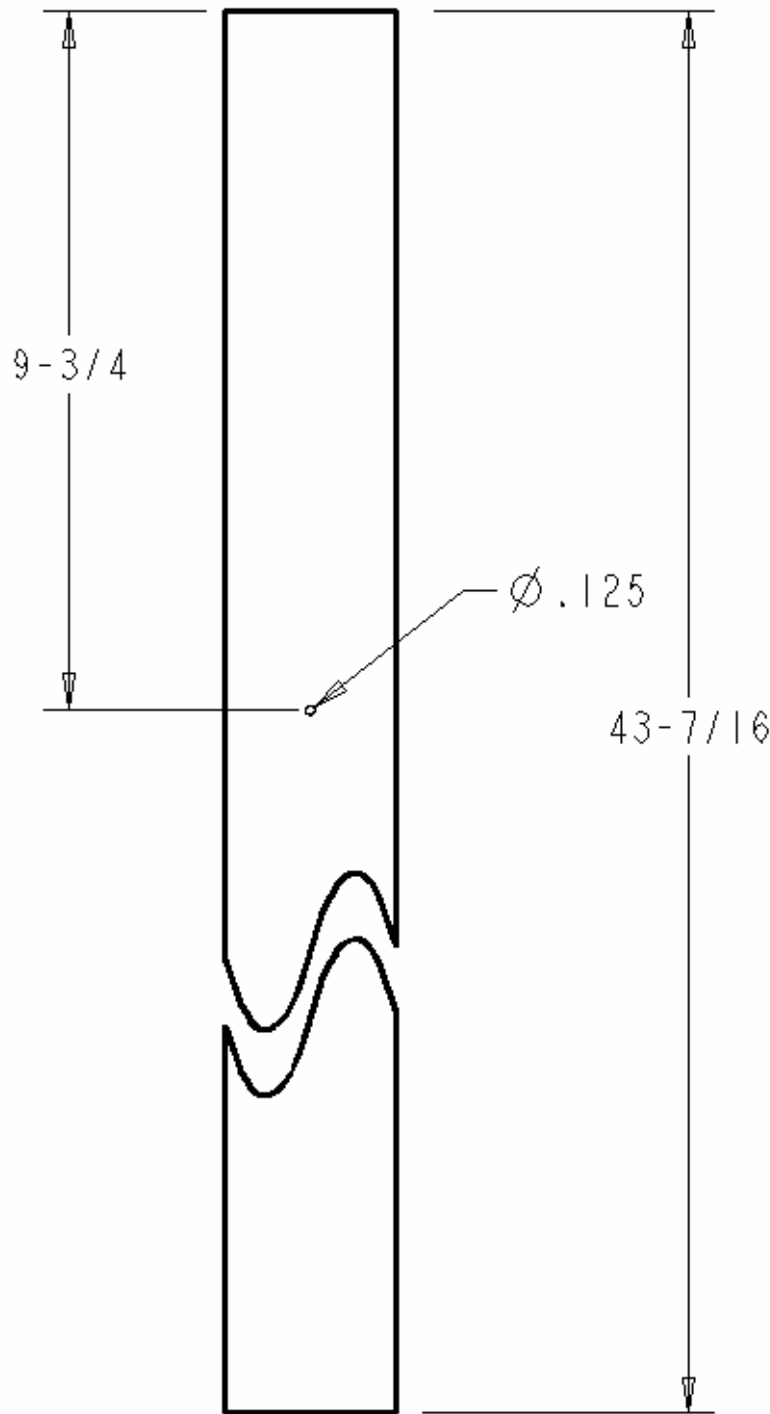


Dm PENTATONIC SCALE  
WIND CHIME 3 OF 12

DATE March 2003

SCALE 1/2

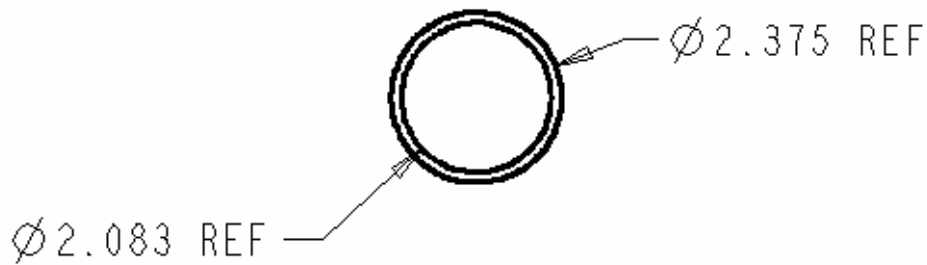
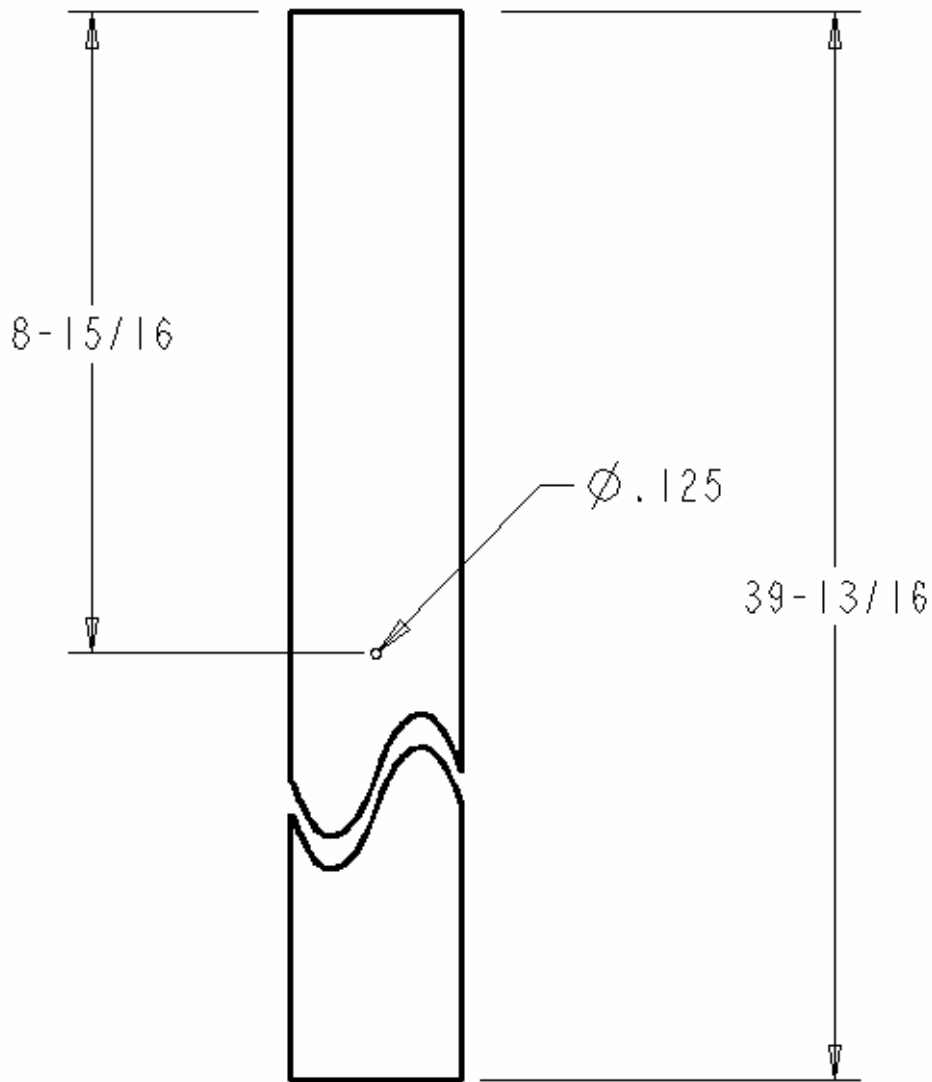
2" RIGID ALUMINUM CONDUIT



D - 294 Hz

Dm PENTATONIC SCALE WIND CHIME 4 OF 12	
DATE March 2003	SCALE 3/8

2" RIGID ALUMINUM CONDUIT



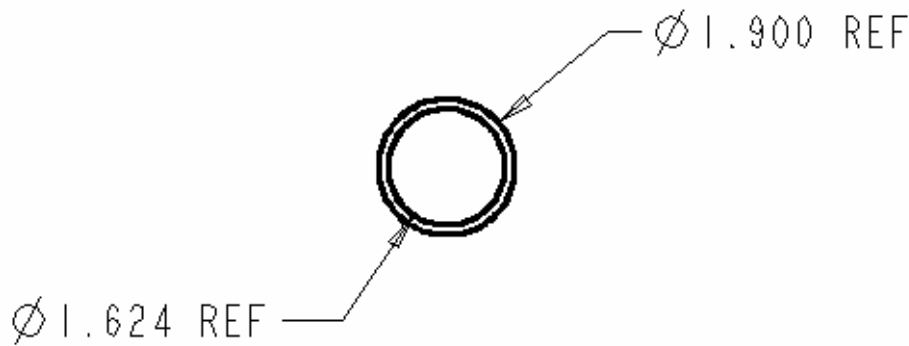
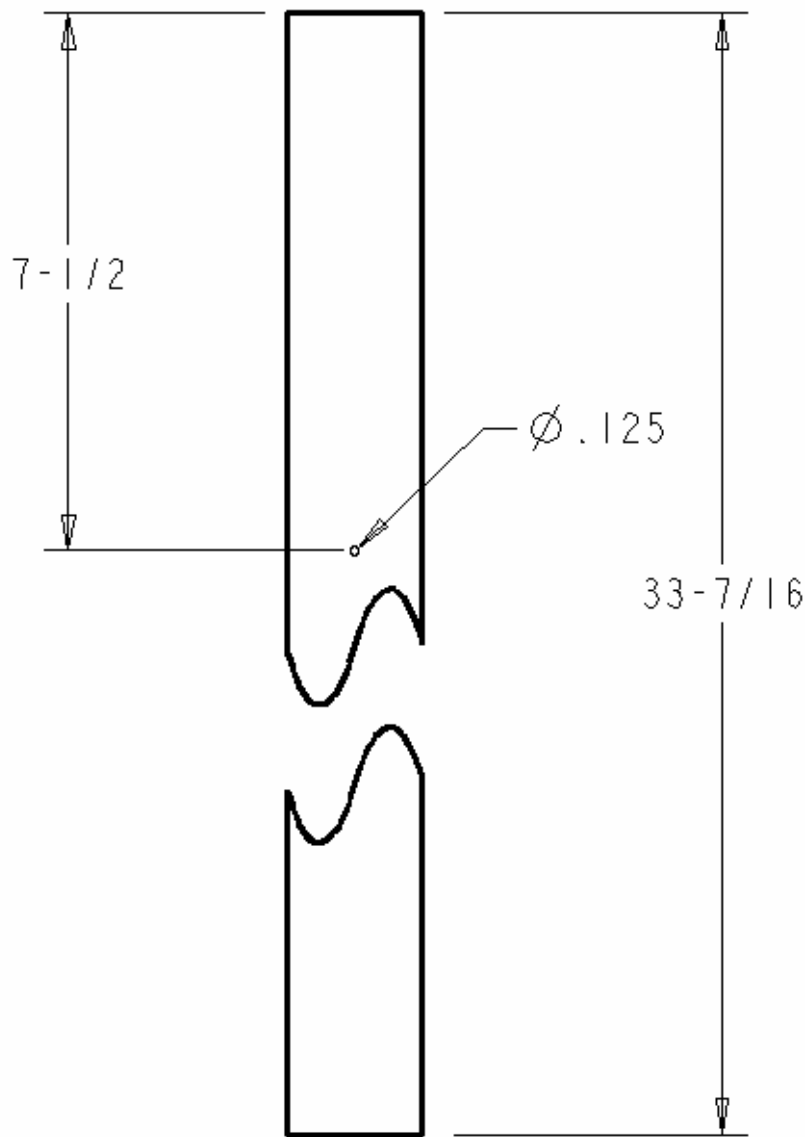
F - 349 Hz

Dm PENTATONIC SCALE  
WIND CHIME 5 OF 12

DATE March 2003

SCALE 3/8

1.5" RIGID ALUMINUM CONDUIT



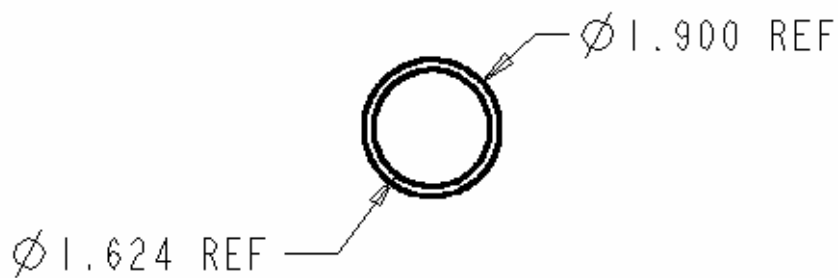
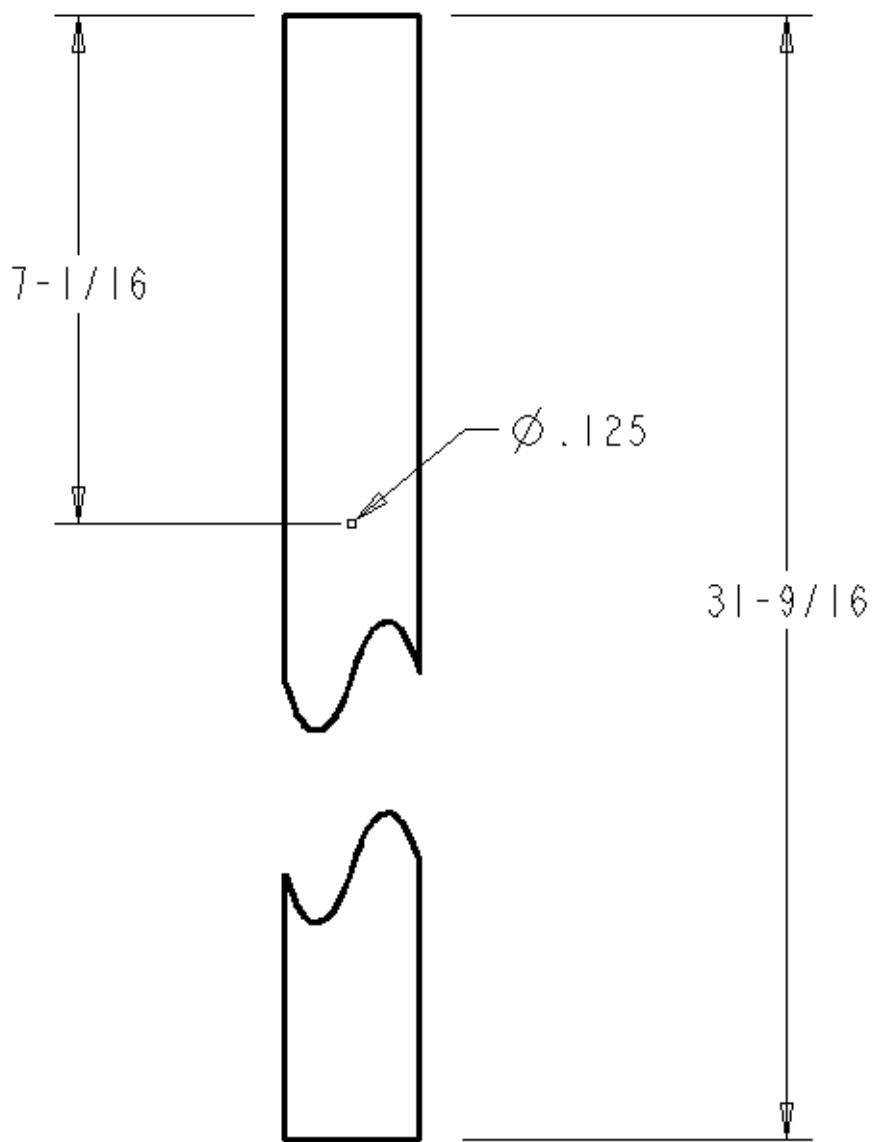
G - 392 Hz

Dm PENTATONIC SCALE  
WIND CHIME 6 OF 12

DATE March 2003

SCALE 3/8

1.5" RIGID ALUMINUM CONDUIT



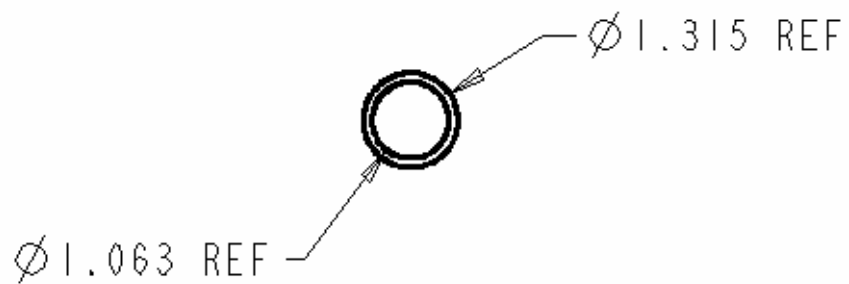
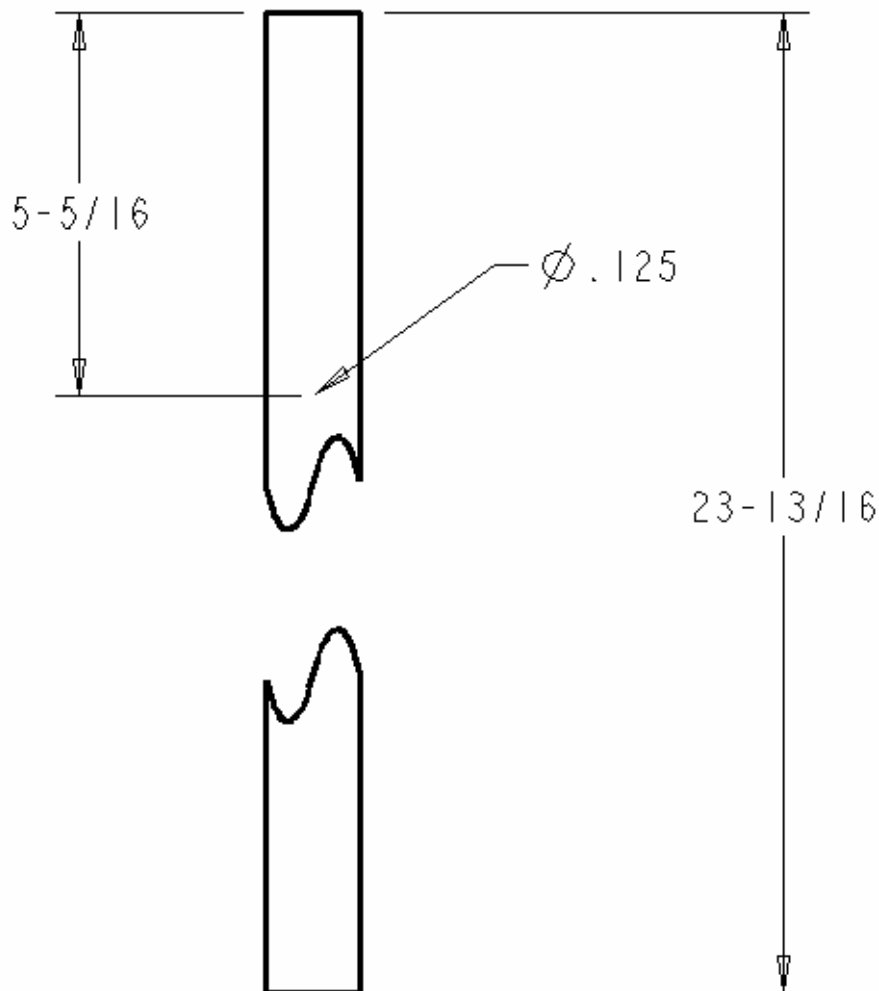
A - 440 Hz

Dm PENTATONIC SCALE  
WIND CHIME 7 OF 12

DATE March 2003

SCALE 3/8

1" RIGID ALUMINUM CONDUIT



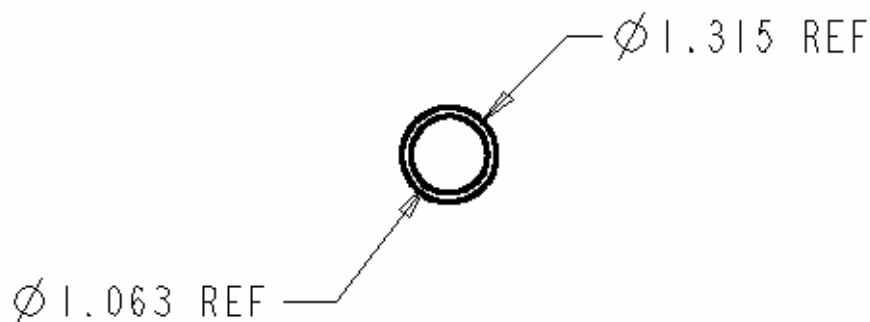
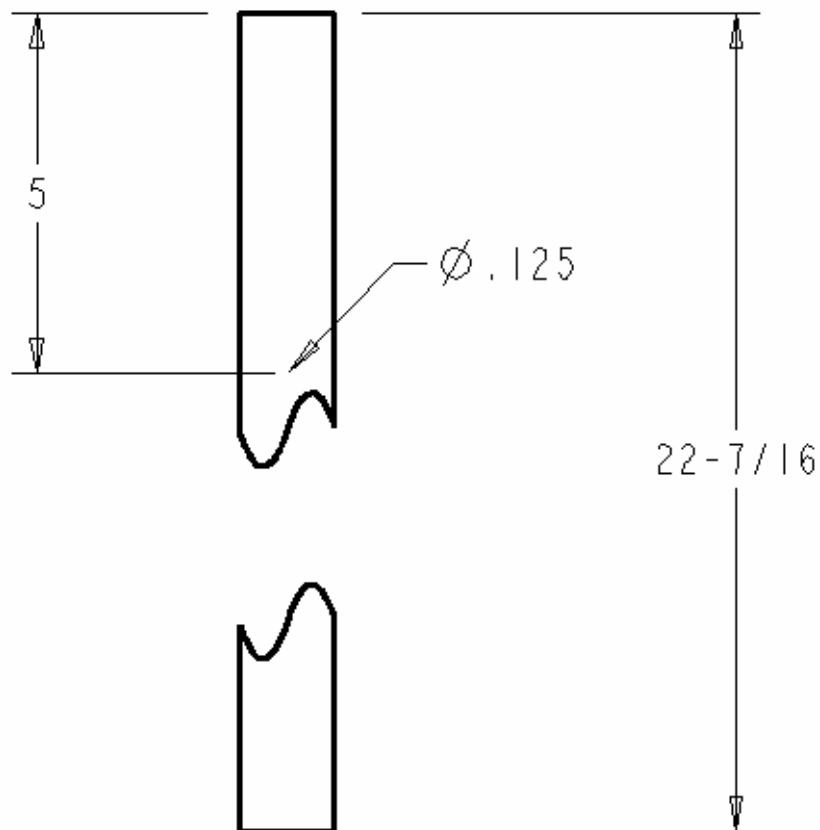
C - 523 Hz

Dm PENTATONIC SCALE  
WIND CHIME 8 OF 12

DATE March 2003

SCALE 3/8

1" RIGID ALUMINUM CONDUIT

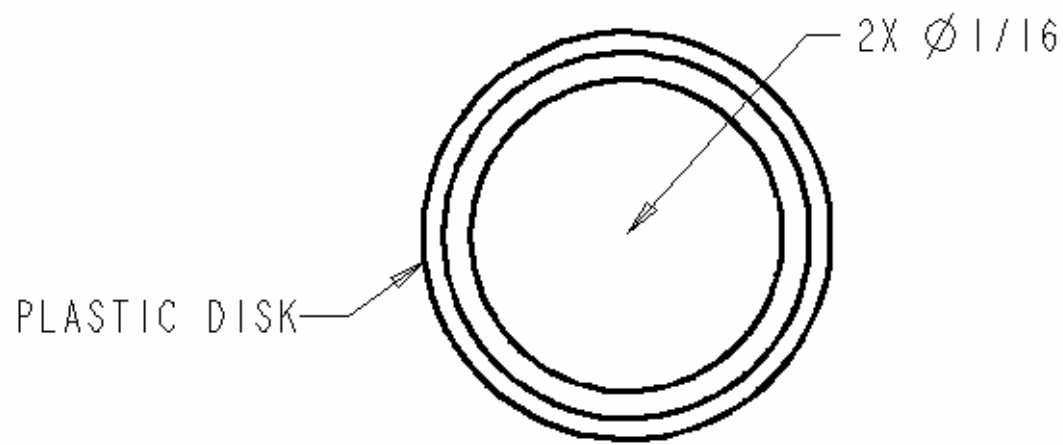
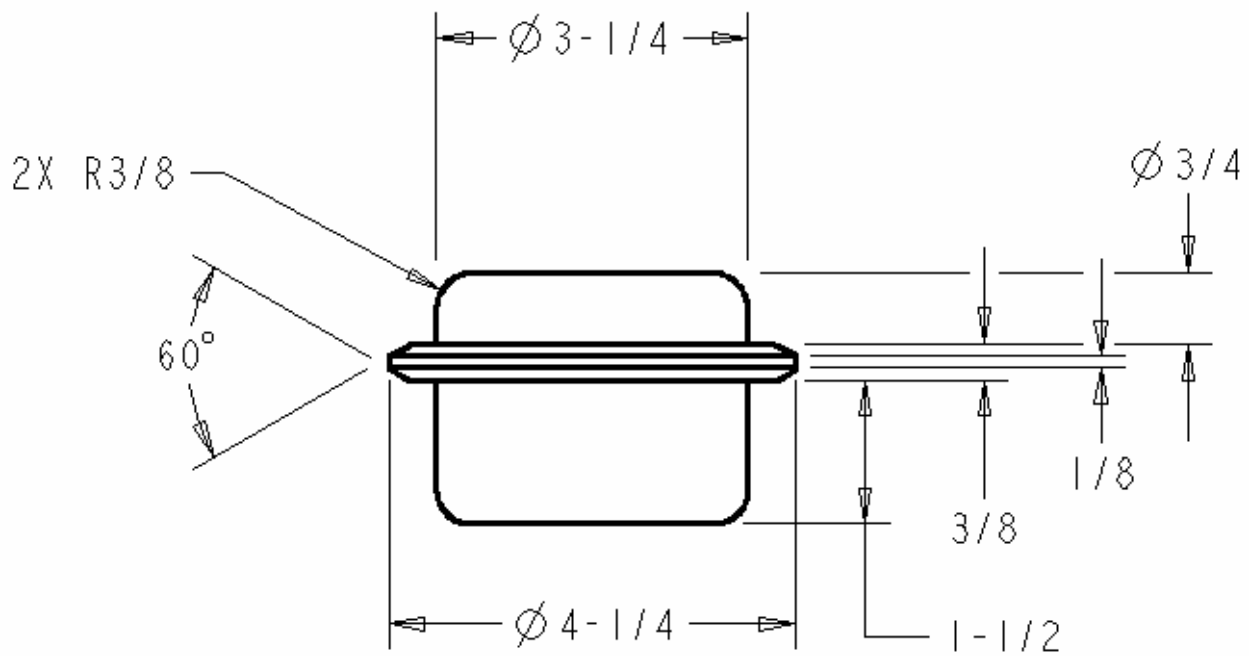


D - 587 Hz

Dm PENTATONIC SCALE  
WIND CHIME 9 OF 12

DATE March 2003

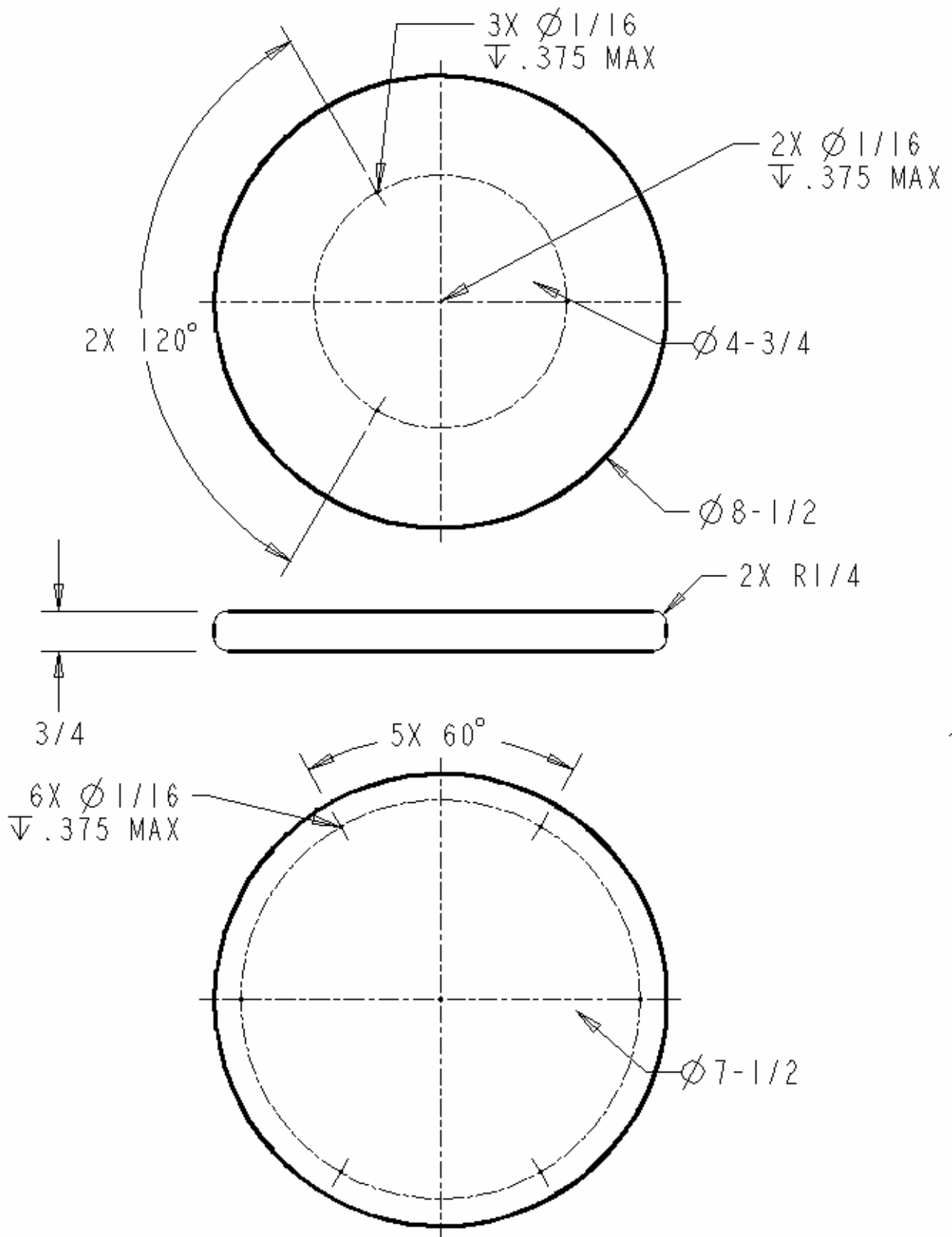
SCALE 3/8



PLASTIC DISK IS CUT FROM WHITE PLASTIC FOOD CUTTING BOARD OBTAINED FROM DISCOUNT DEPARTMENT STORE. THE PLASTIC DISK IS GLUED TOGETHER WITH THREE WOOD DISKS USING POLYURETHANE GLUE.

Dm PENTATONIC SCALE WIND CHIME 10 OF 12	
DATE March 2003	SCALE 1/2

WOOD

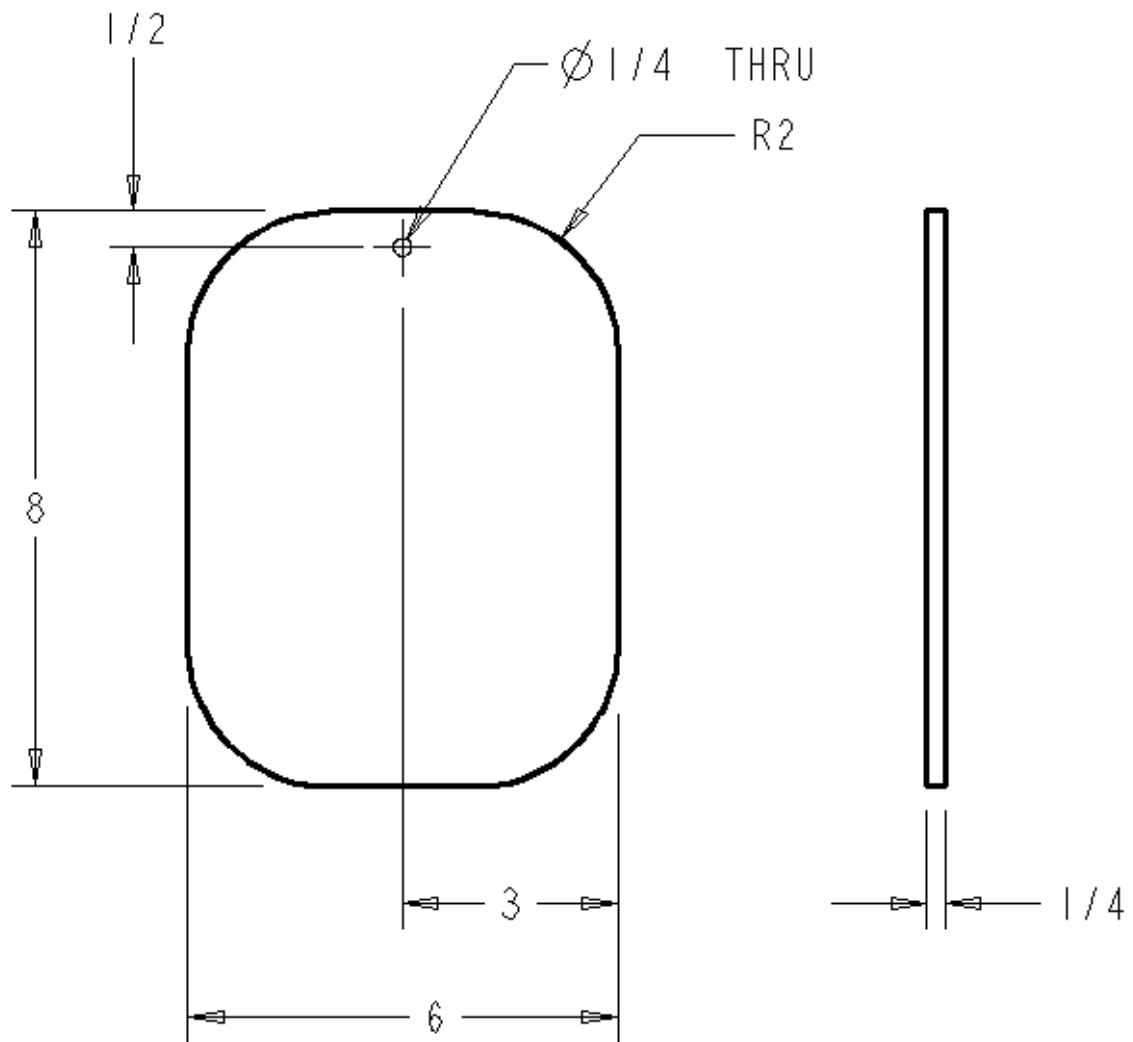


Dm PENTATONIC SCALE  
WIND CHIME 11 OF 12

DATE March 2003

SCALE 3/8

WOOD



Dm PENTATONIC SCALE  
WIND CHIME 12 OF 12

DATE March 2003

SCALE 3/8