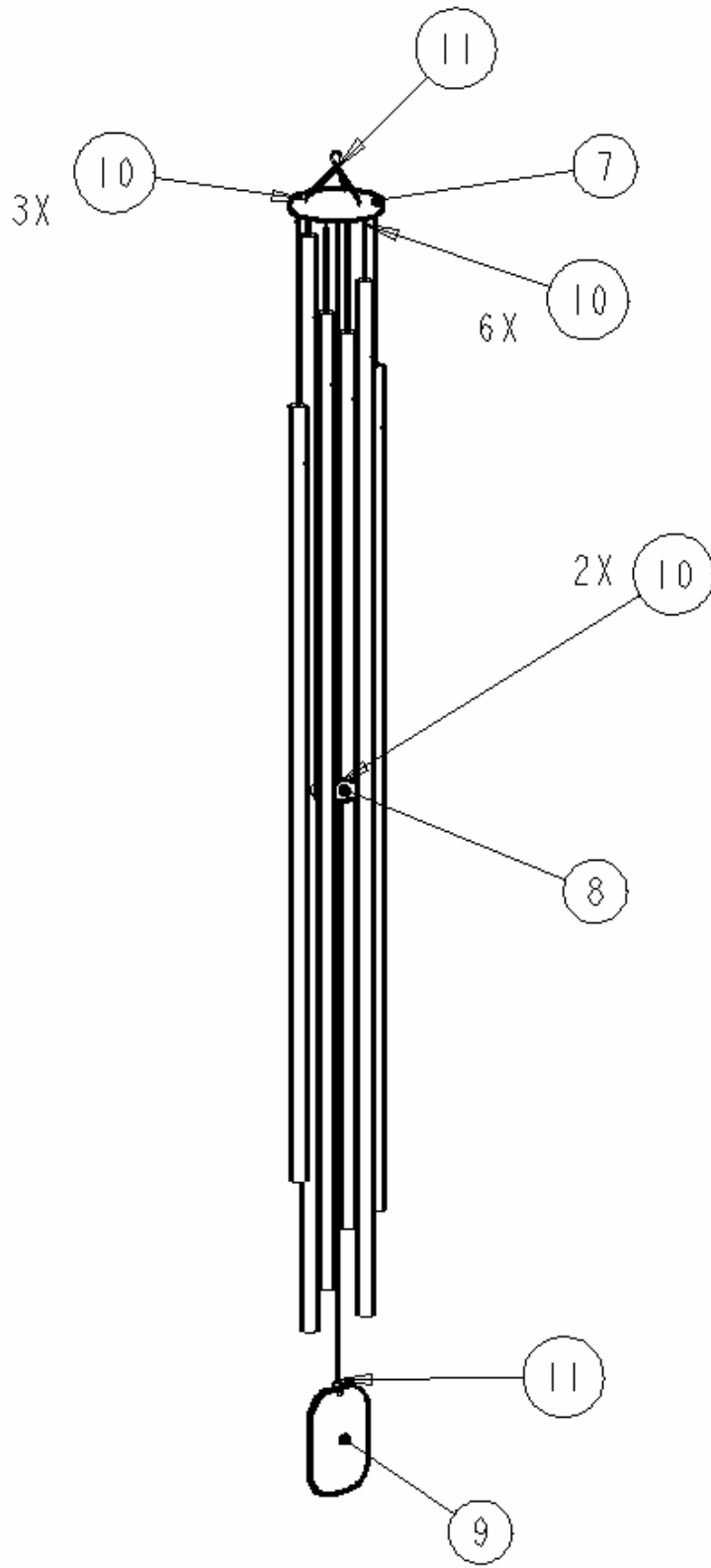


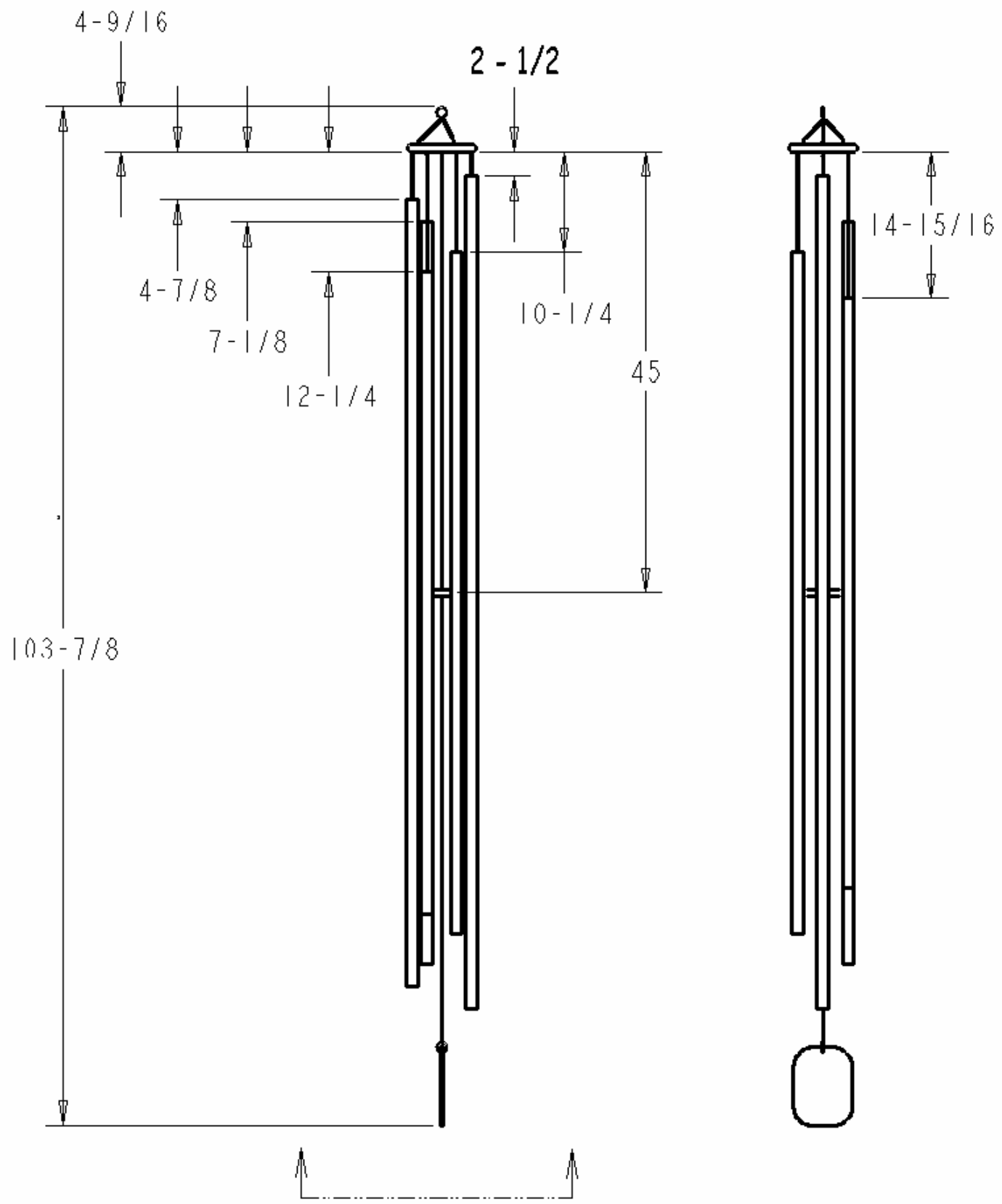
APPROX. WEIGHT 25.6 LBS



12	A/R	WIRE / STRING
11	2	1" RINGS
10	11	EYE SCREWS SIZE 212
9	1	SAIL SHEET 12
8	1	STRIKER SHEET 11
7	1	TOP SHEET 10
6	1	F-349 SHEET 9
5	1	G-392 SHEET 8
4	1	A-440 SHEET 7
3	1	C-523 SHEET 6
2	1	D-587 SHEET 5
1	1	F-698 SHEET 4
ITEM	QTY	DESCRIPTION

F Major PENTATONIC SCALE  
WIND CHIME 1 OF 12

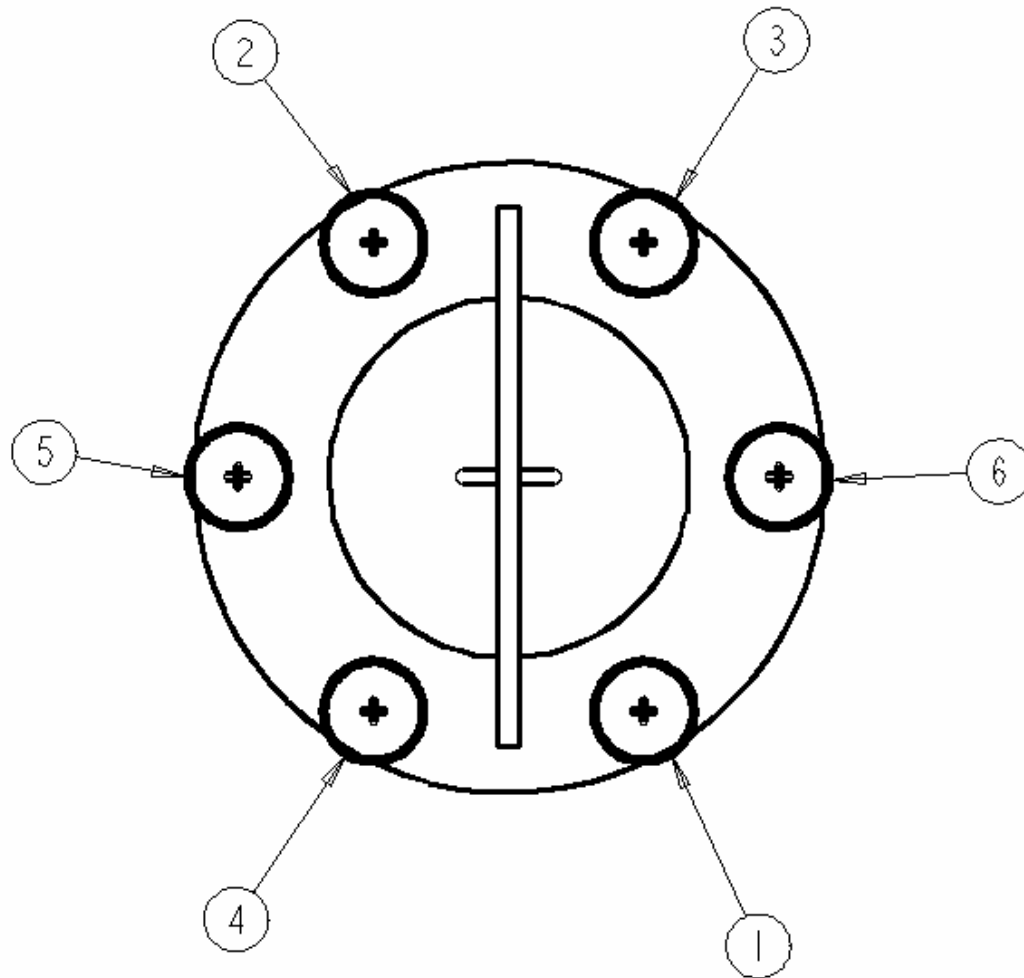
DATE Feb 2003 SCALE .100



F Major PENTATONIC SCALE  
WIND CHIME 2 OF 12

DATE Feb 2003

SCALE .075



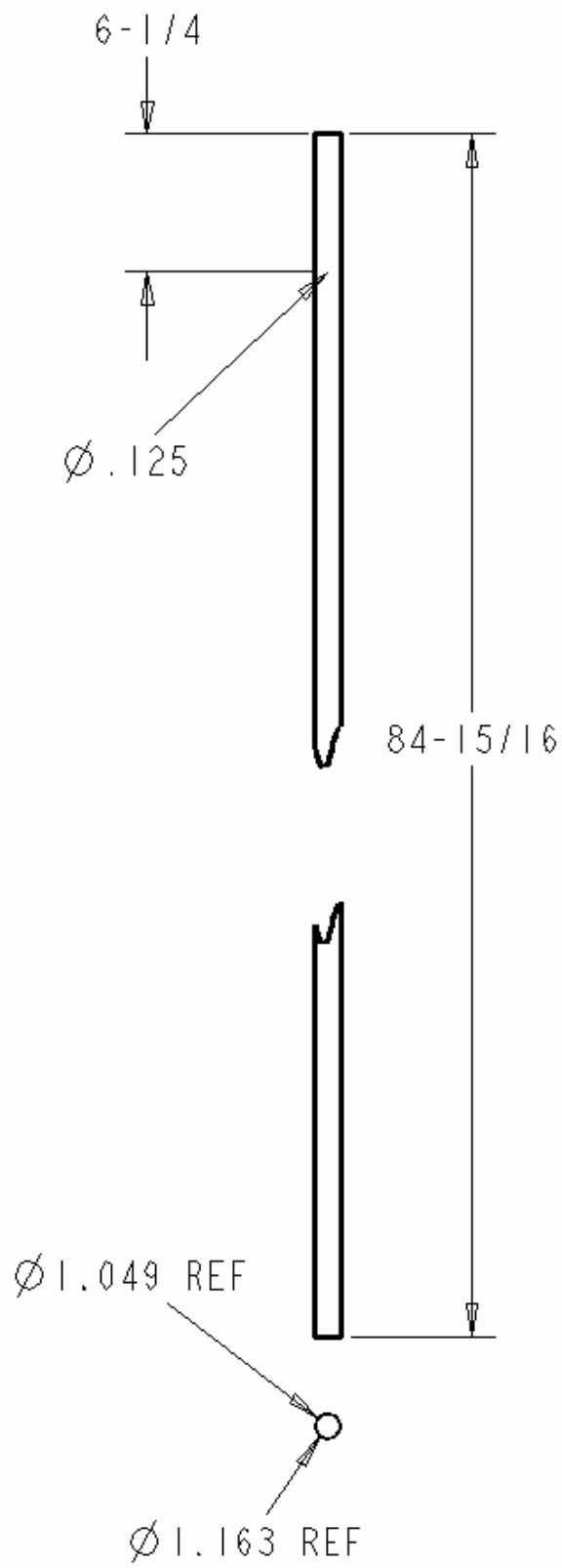
VIEW A  
FROM SHEET 2

F Major PENTATONIC SCALE  
WIND CHIME 3 OF 12

DATE Feb 2003

SCALE .500

MATERIAL: STEEL CONDUIT (EMT) 1" DIAMETER.  
APPROX. WEIGHT 4.76 LBS



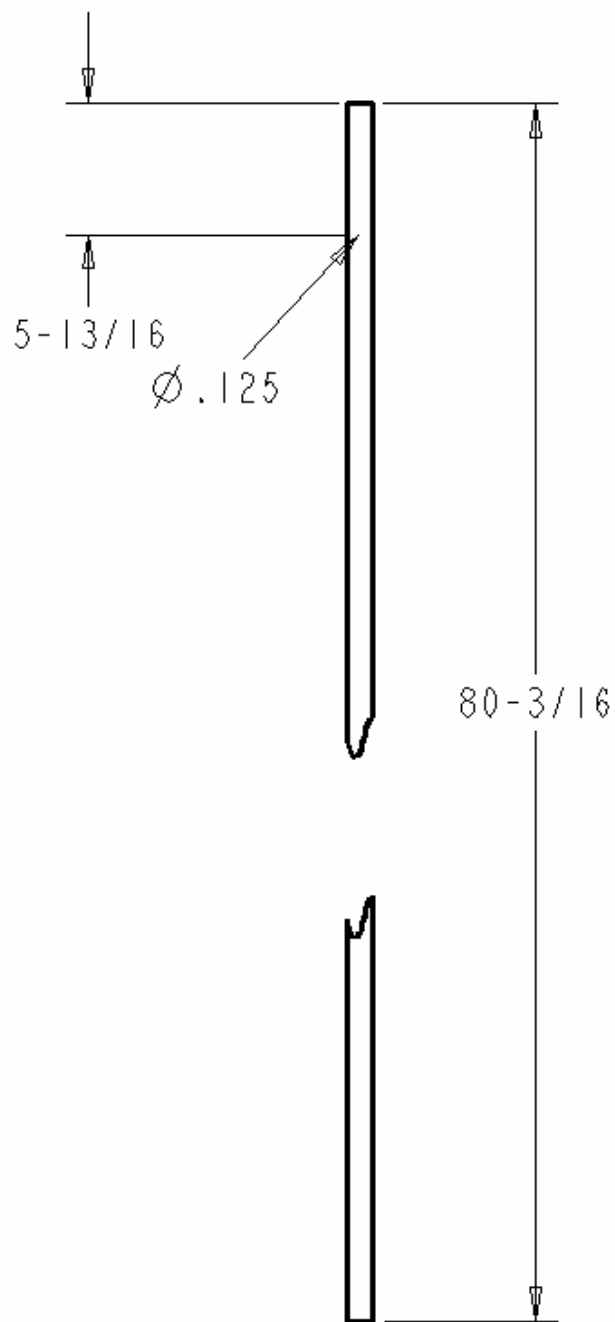
F - 349 Hz

F Major PENTATONIC SCALE  
WIND CHIME 4 OF 12

DATE Feb 2003

SCALE .125

MATERIAL: STEEL CONDUIT (EMT) 1" DIAMETER  
APPROX. WEIGHT 4.49 LBS



G - 392 Hz

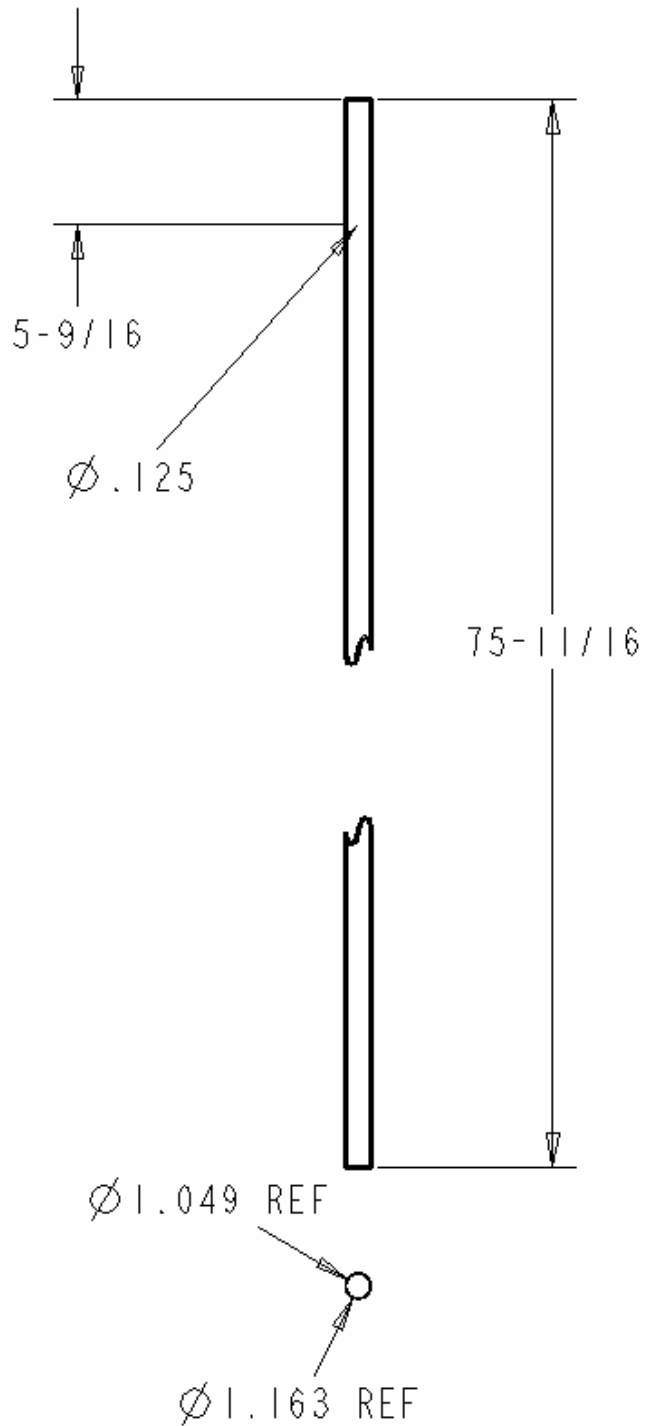
F Major PENTATONIC SCALE  
WIND CHIME

5 OF 12

DATE Feb 2003

SCALE .125

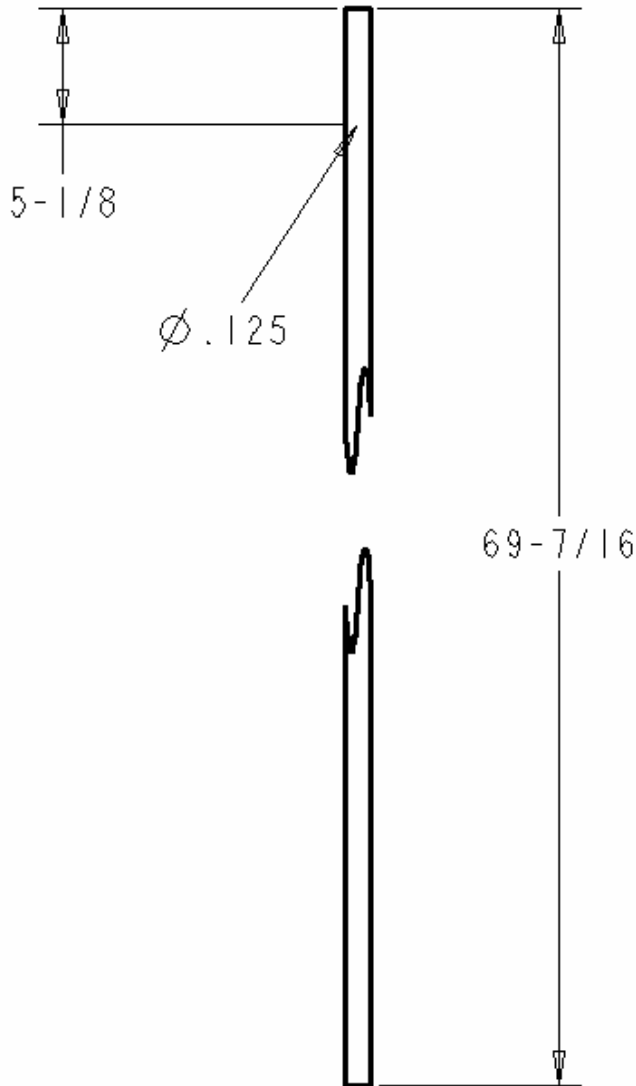
MATERIAL: STEEL CONDUIT (EMT) 1" DIAMETER  
APPROX. WEIGHT 4.24 LBS



A - 440 Hz

F Major PENTATONIC SCALE WIND CHIME	
6 OF 12	
DATE Feb 2003	SCALE .125

MATERIAL: STEEL CONDUIT (EMT) 1" DIAMETER.  
APPROX. WEIGHT 3.89 LBS.



$\phi 1.163$  REF

$\phi 1.049$  REF

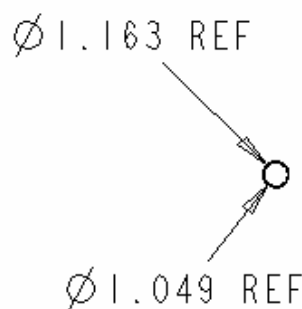
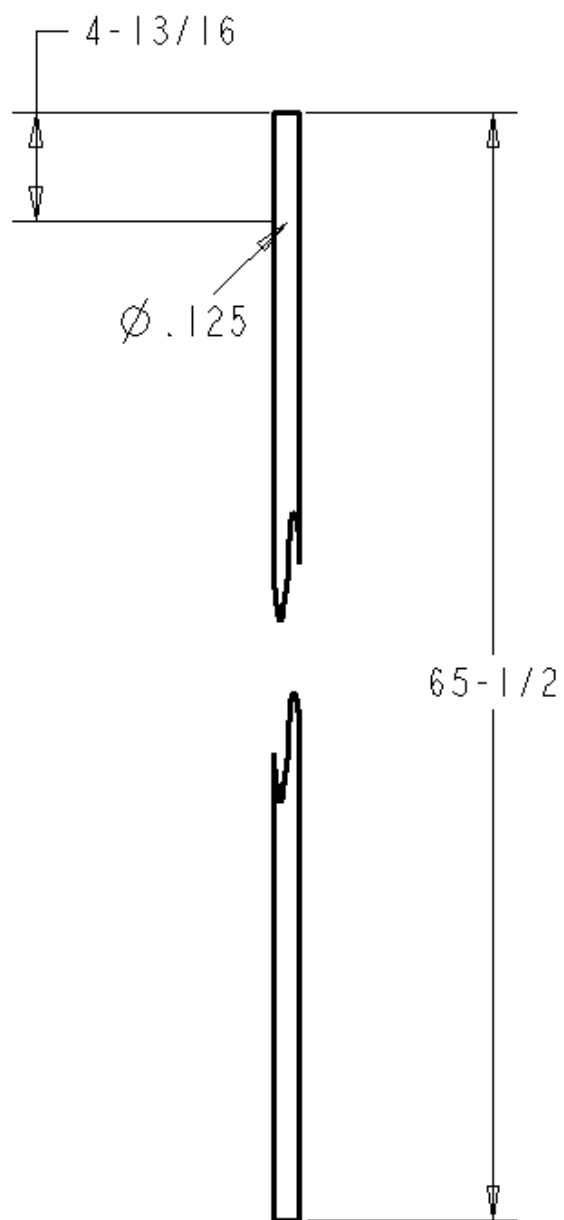
C - 523 Hz

F Major PENTATONIC SCALE  
WIND CHIME 7 OF 12

DATE Feb 2003

SCALE .125

MATERIAL: STEEL CONDUIT (EMT) 1" DIAMETER  
APPROX. WEIGHT 3.67 LBS.



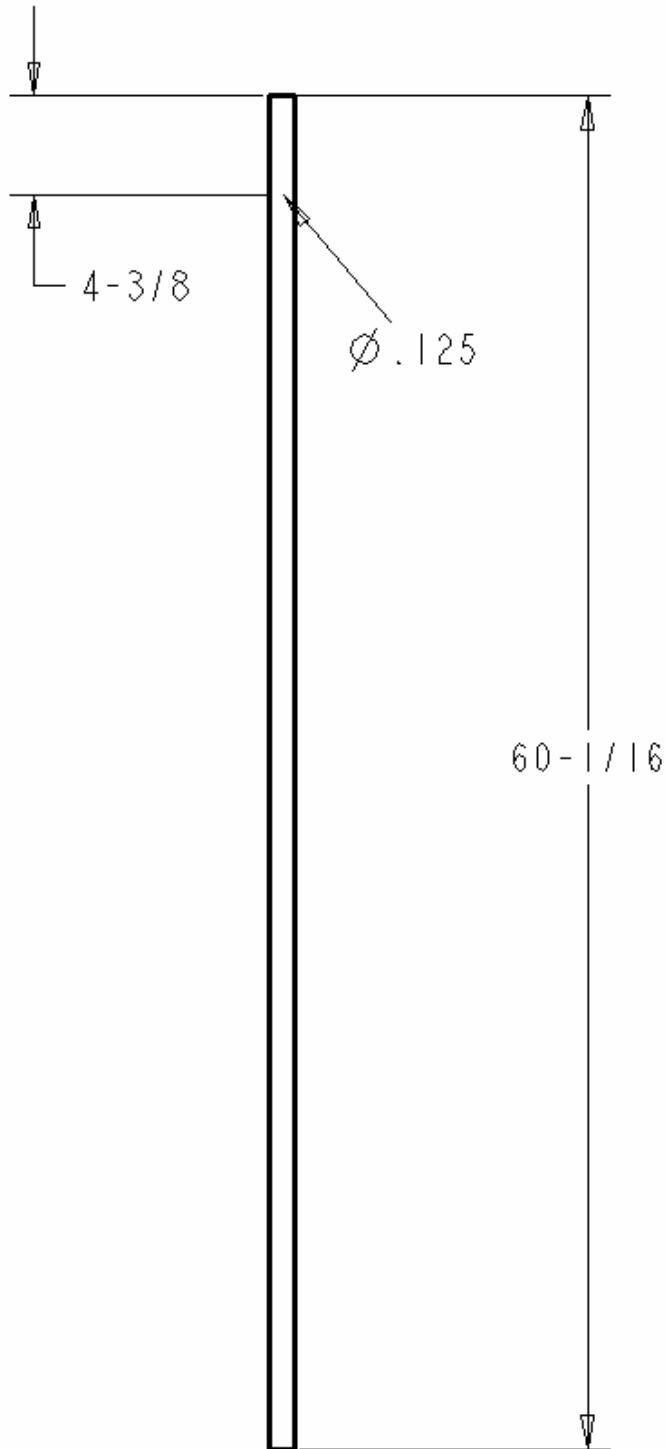
D - 587 Hz

F Major PENTATONIC SCALE  
WIND CHIME 8 OF 12

DATE Feb 2003

SCALE .125

MATERIAL: STEEL CONDUIT (EMT) 1" DIAMETER  
APPROX. WEIGHT 3.37 LBS



$\varnothing 1.049$  REF

$\varnothing 1.163$  REF

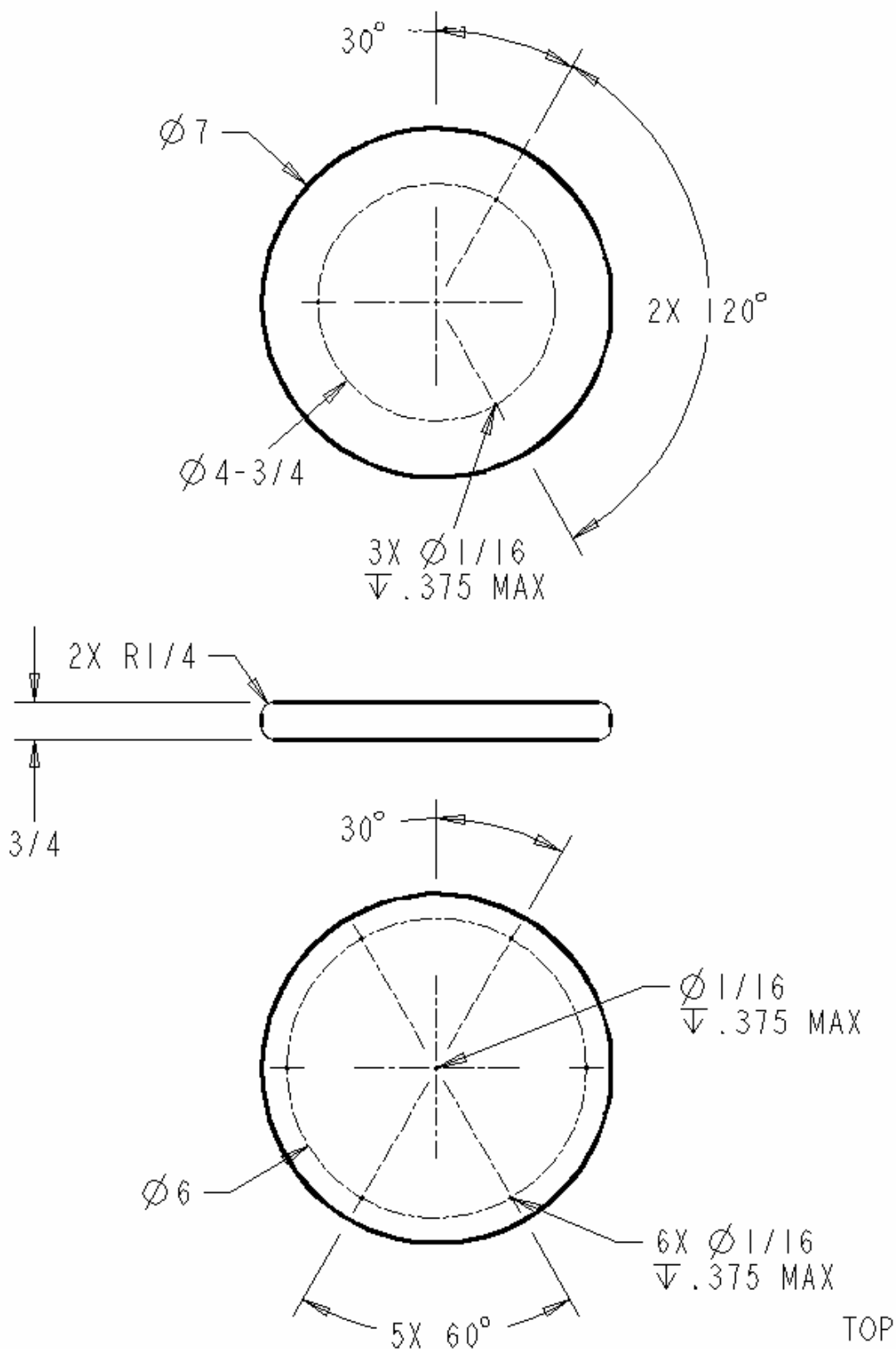
F - 698 Hz

F Major PENTATONIC SCALE  
WIND CHIME 9 OF 12

DATE Feb 2003

SCALE .125

MATERIAL: WOOD APPROX. WEIGHT .65 LBS

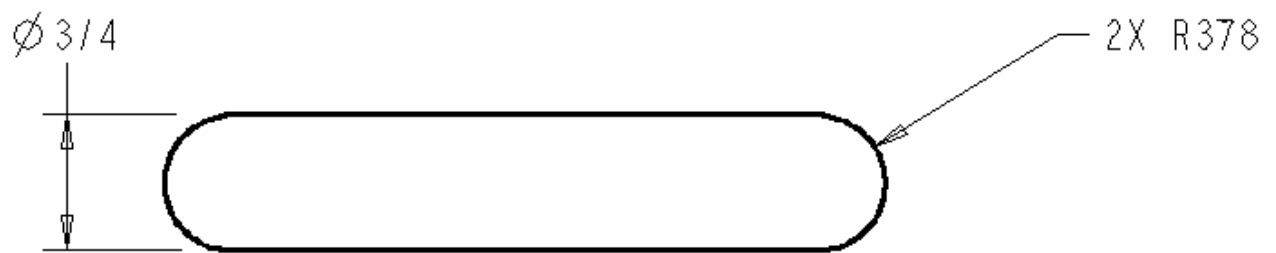
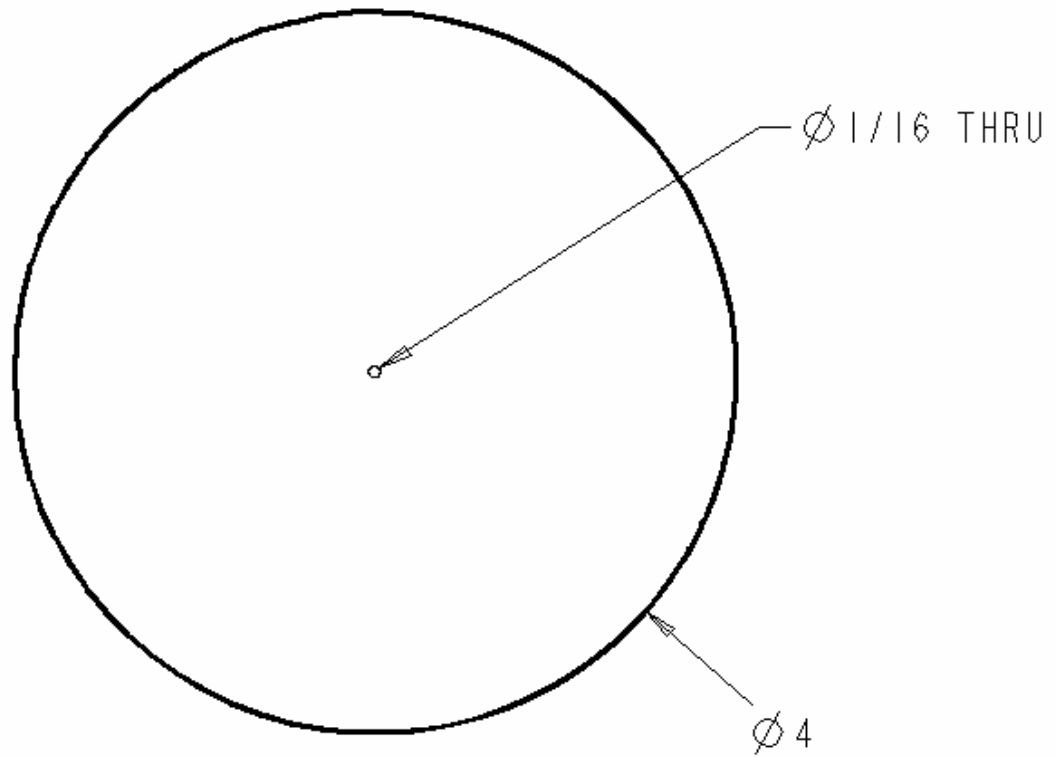


F Major PENTATONIC SCALE  
WIND CHIME 10 OF 12

DATE Feb 2003

SCALE .333

MATERIAL: WOOD APPROX. WEIGHT .20 LBS



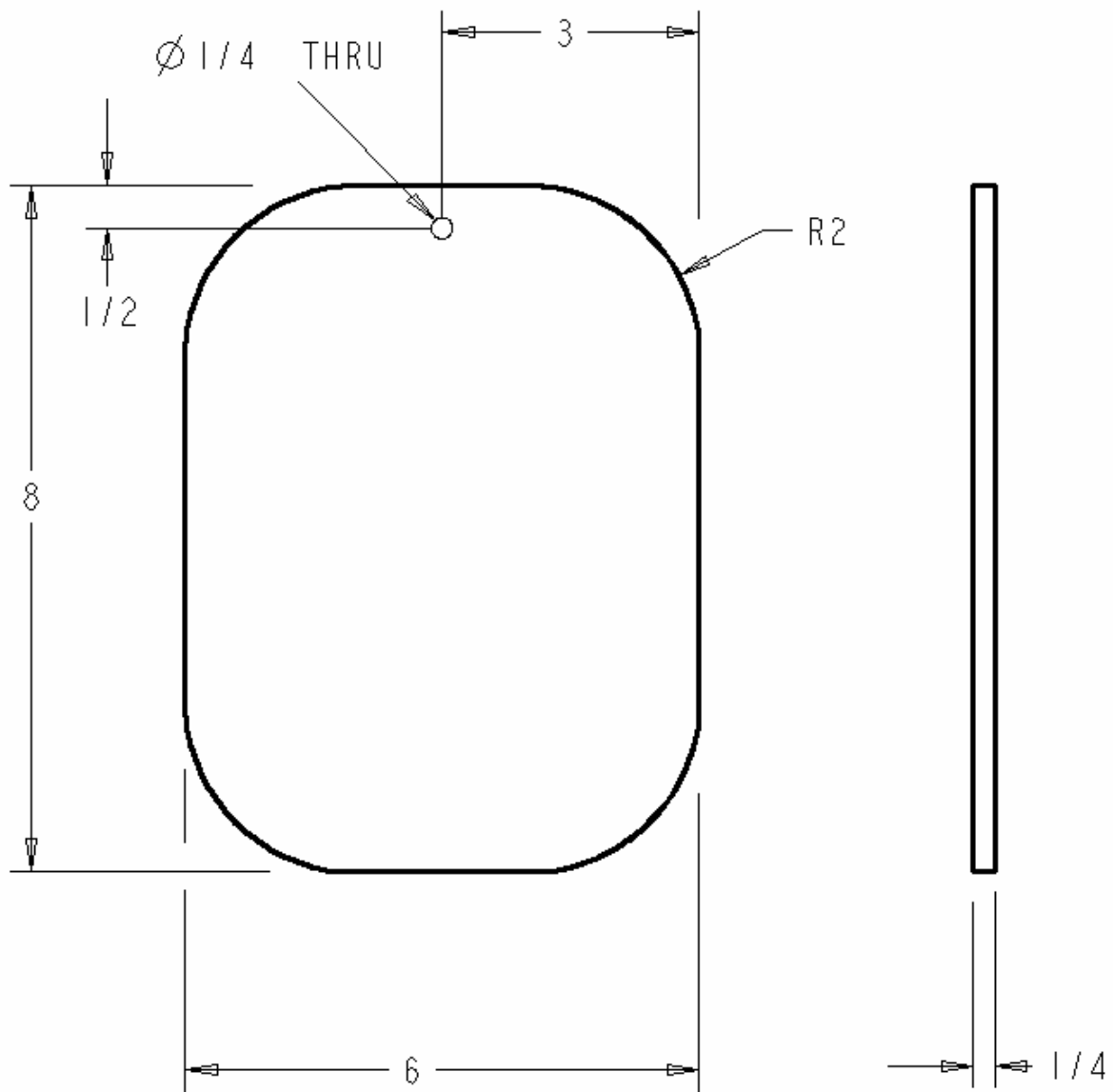
STRIKER

F Major PENTATONIC SCALE  
WIND CHIME 11 OF 12

DATE Feb 2003

SCALE 1.000

MATERIAL: WOOD APPROX. WEIGHT .26 LBS



SAIL

F Major PENTATONIC SCALE  
WIND CHIME 12 OF 12

DATE Feb 2003

SCALE .500