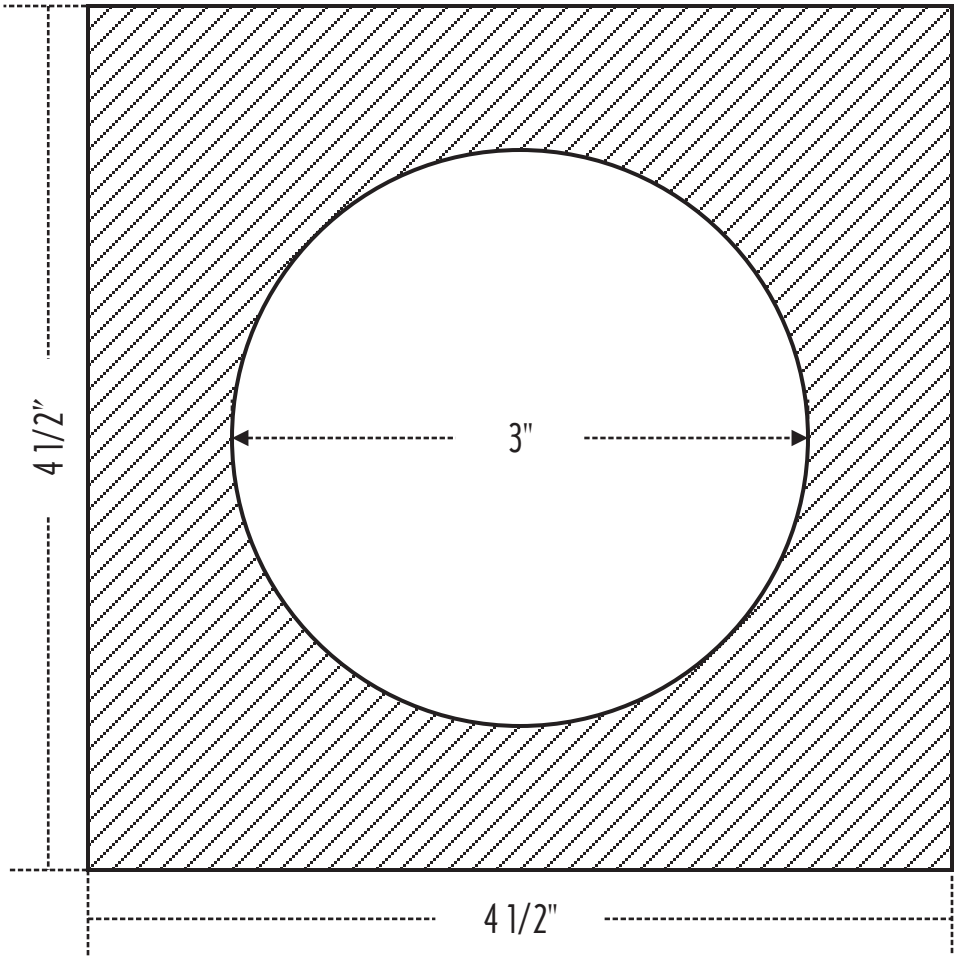


# Box Lens Board Project - 5X7 Eastman View #2

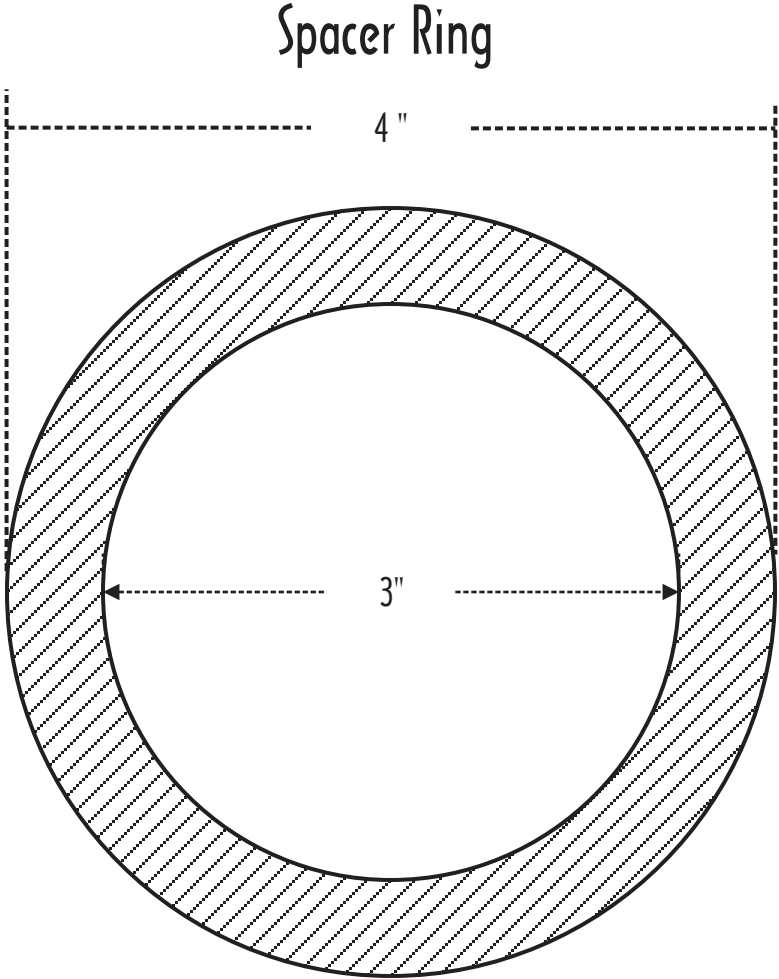


Lens Board



$1/4$ " Baltic Birch Plywood

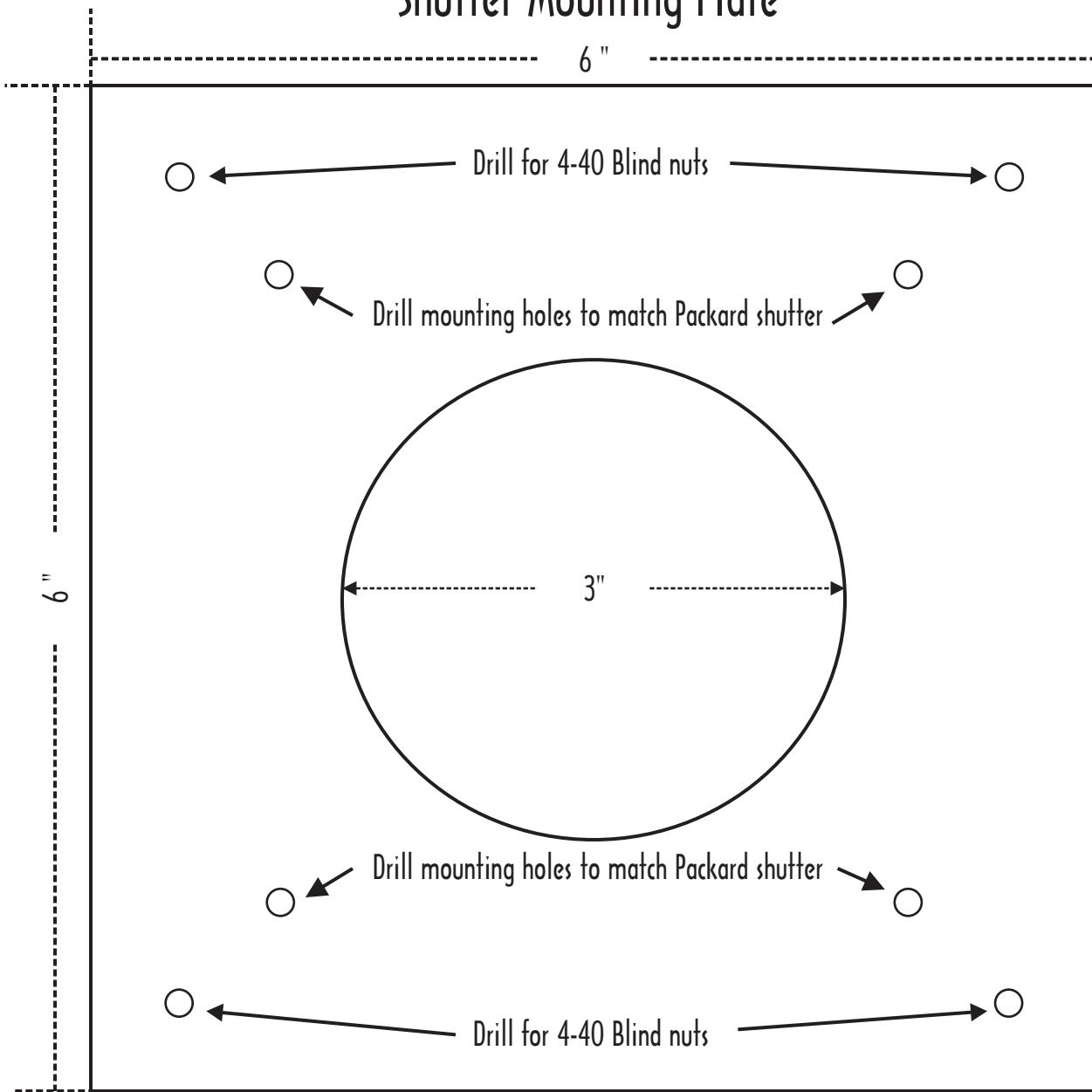
# Box Lens Board Project - 5X7 Eastman View #2



1/4" Baltic Birch Plywood

# Box Lens Board Project - 5X7 Eastman View #2

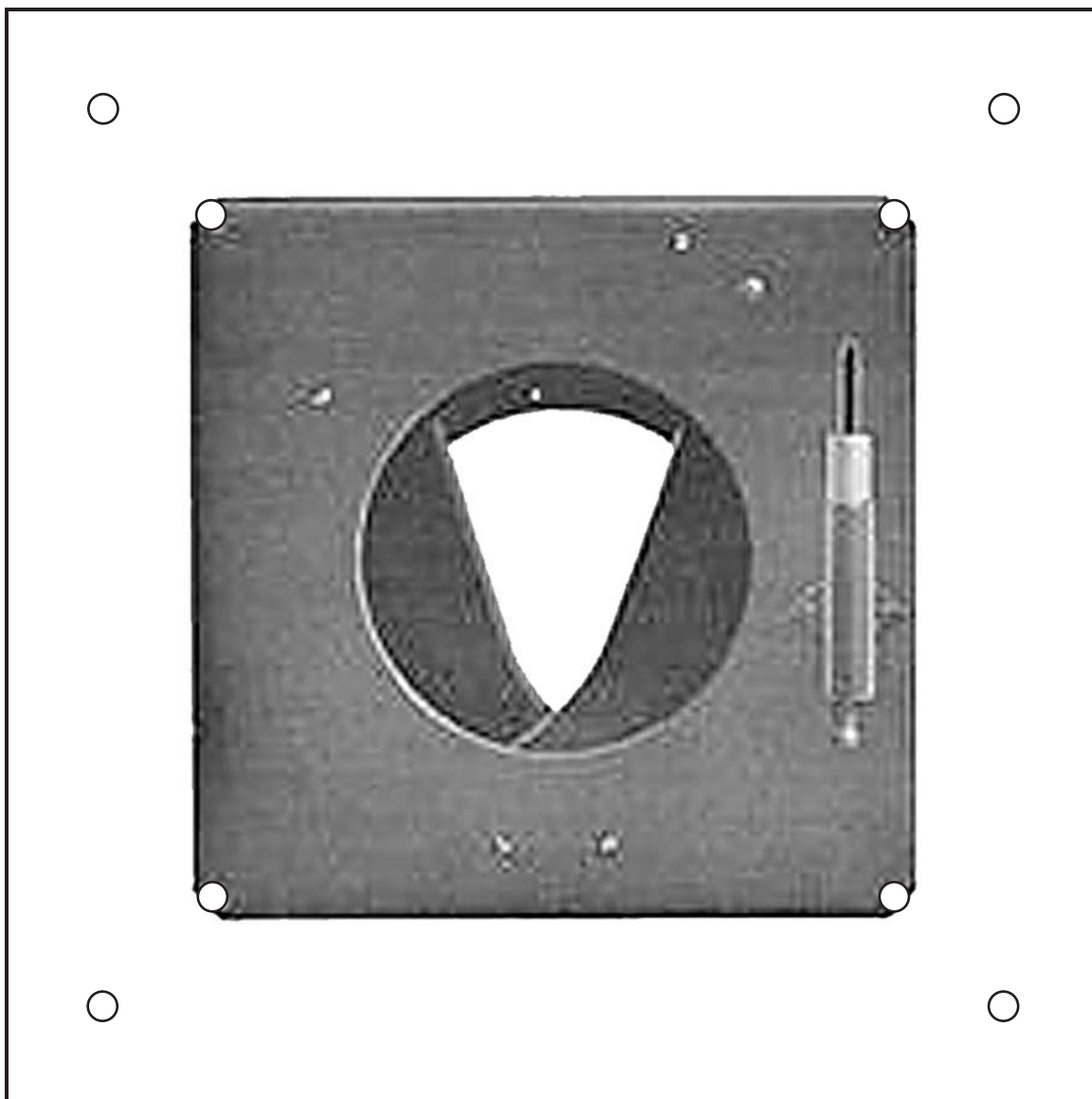
## Shutter Mounting Plate



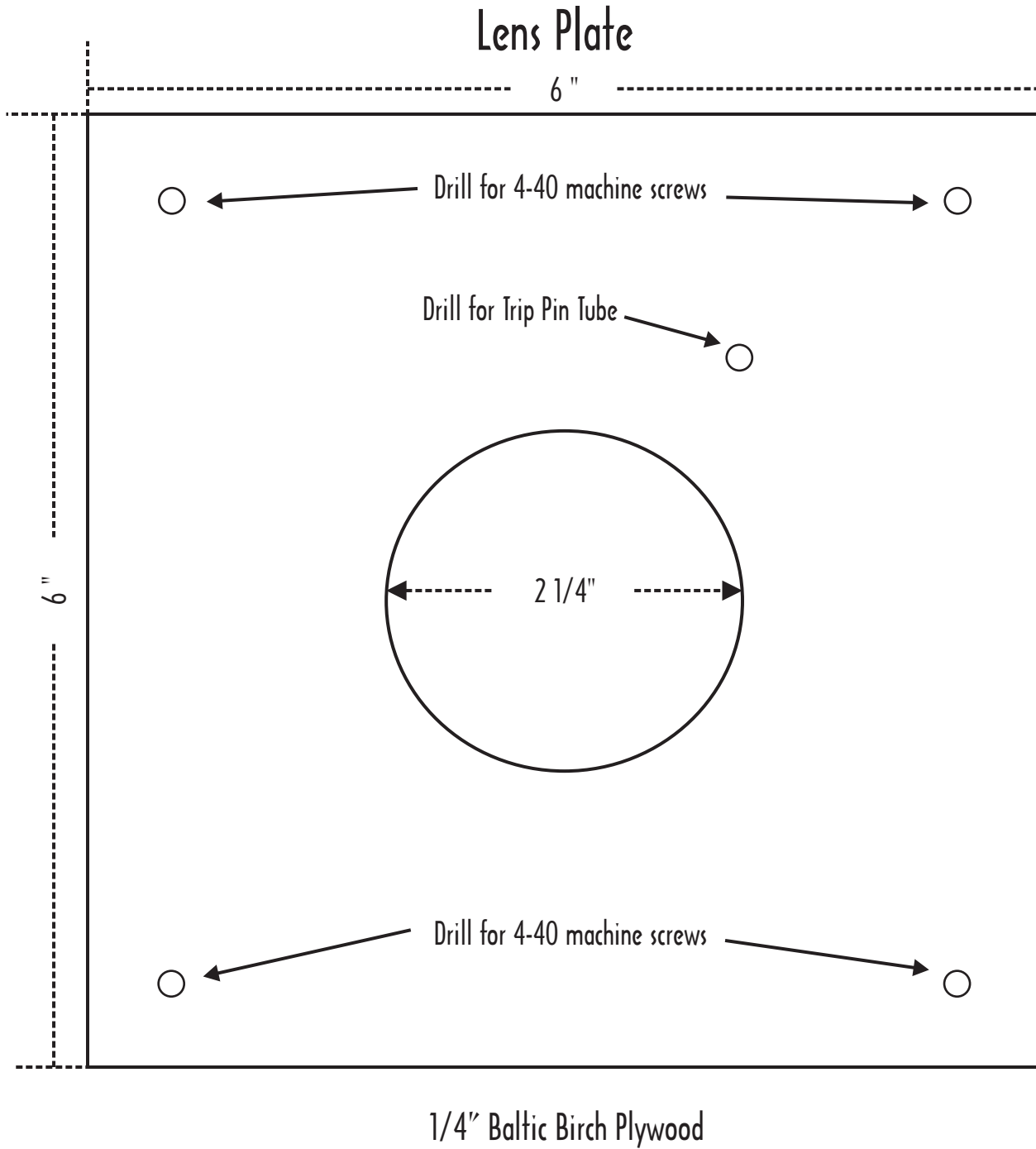
1/4" Baltic Birch Plywood

# Box Lens Board Project - 5X7 Eastman View #2

Shutter Mounting Plate  
showing Packard Ideal Shutter installed

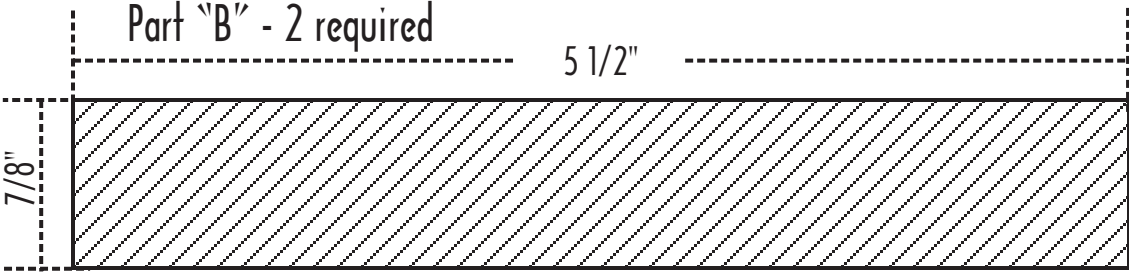
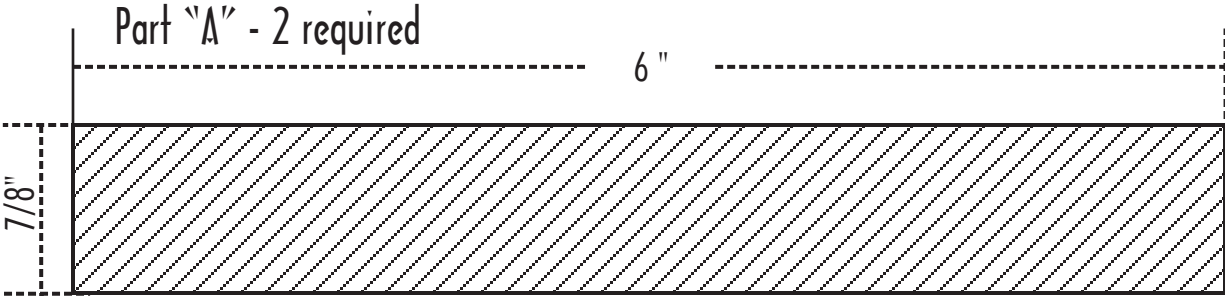


# Box Lens Board Project - 5X7 Eastman View #2



# Box Lens Board Project - 5X7 Eastman View #2

## Box Side Components

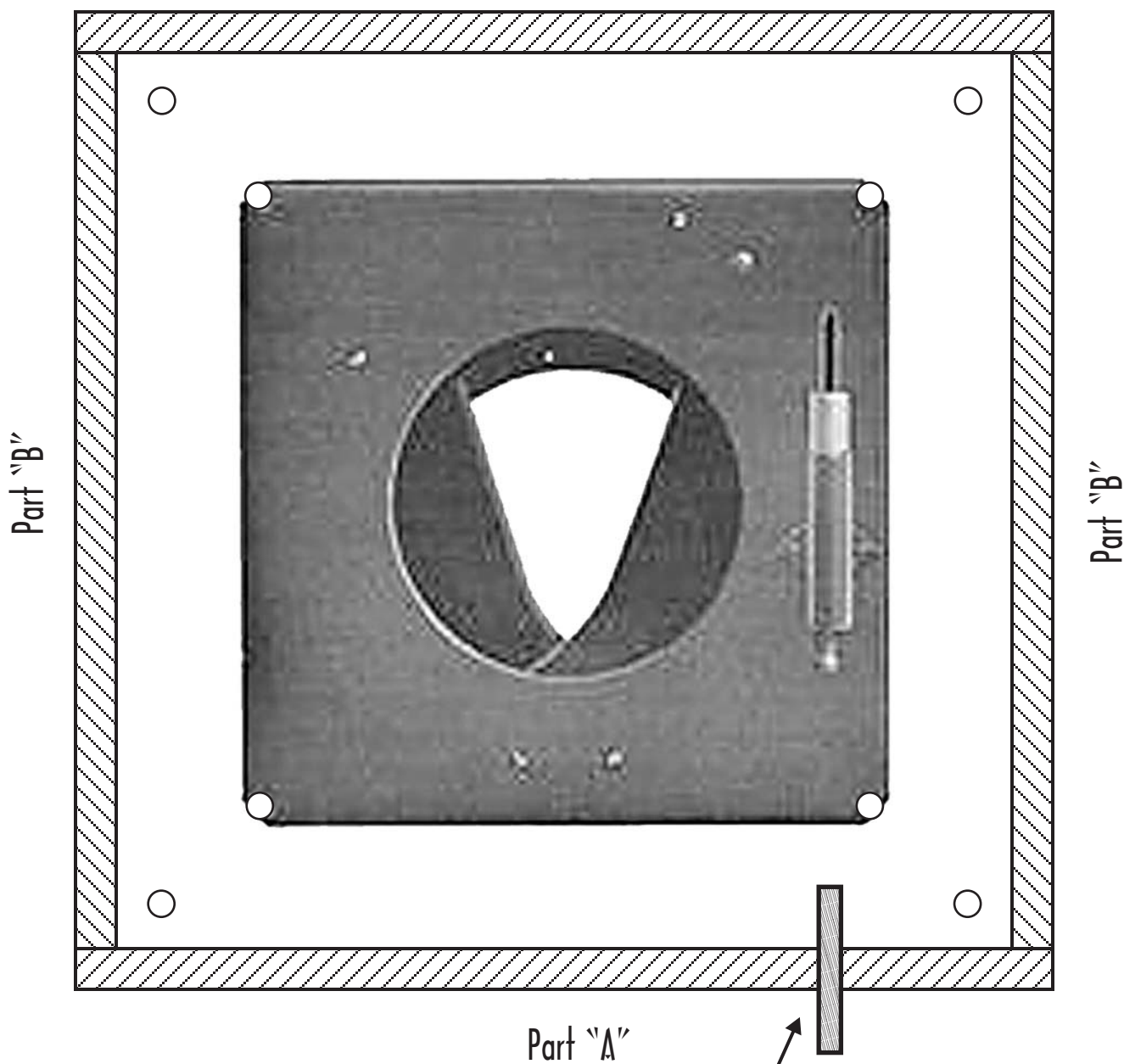


All parts - 1/4" Baltic Birch Plywood

# Box Lens Board Project - 5X7 Eastman View #2

## Box Component Layout

Part "A"



Part "A"

Suggested location of  
pneumatic system tube

# Box Lens Board Project - 5X7 Eastman View #2

## Box Assembly - Side View

