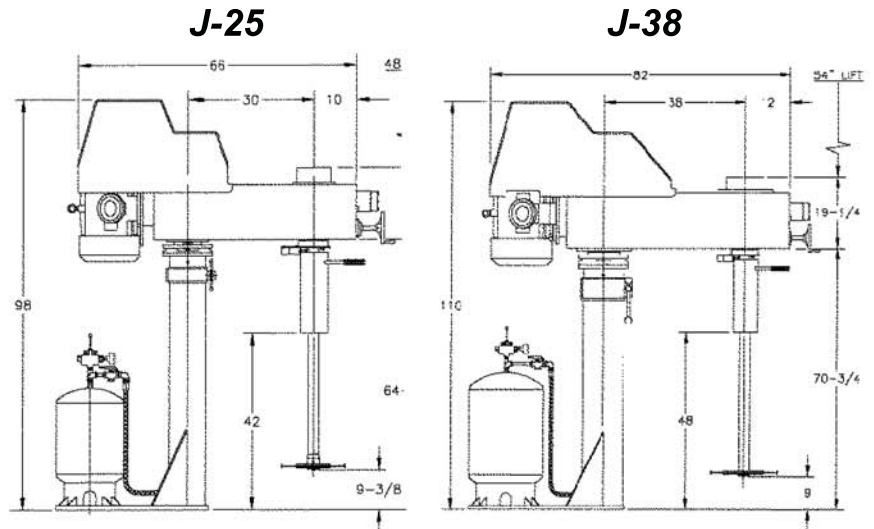


## J-25 & J-38 Dissolvers



### Product Specifications

Drive	Variable speed with jackshaft for maximum power delivery at lower speed
Instrumentation	Ammeter and Tachometer
Motor	1800 rpm, 230/460 Volt, 3 phase, 60 Hz, explosion-proof, Class 1, Division 1, Group 1

	J-25	J-38
Shaft Speed	450-1365 rpm	375-1100 rpm
Shaft	2 1/2" diameter, 304 stainless steel	3" diameter, stainless steel
Cylinder	8.62" O.D. (6.5" ram diameter; 33.18 square in. area) X 48" stroke, air/oil type	10.75" O.D. (8.5" ram diameter; 56.74 square in. area) X 54" stroke, air over oil type
Impeller	B-15AOU (15" diameter), 304 S.S. impeller	B-18AOU (18" diameter), 304 S.S. impeller
Motor	25 or 30 HP	50 or 60 HP
Batch Size*	150-300	250-700

\*Batch Size in U.S. Gallons

MorehouseCowles is the world leader in the design and manufacture of variable speed, high-speed dispersion equipment. These units, featuring the unique, patented Box Bridge design, handle from 25 to 60 horsepower. Larger horsepower models are available on special request. As with all MorehouseCowles Dissolvers, the standard, patented Hi-Shear POLY-PELLER® impeller is

available as an option. Other impellers, such as the MorehouseCowles Hi-Shear impeller and hard chrome plated impellers, are available in a wide variety of sizes. No matter what the dispersion problem, MorehouseCowles has standard machines and specialized designs from which to select just the right machine to handle any dispersion requirements.

**MorehouseCowles**  
13930 Magnolia Ave  
Chino, CA 91710

909-627-7222  
800-625-4819

fax: 909-627-7366  
sales@morehousecowles.com